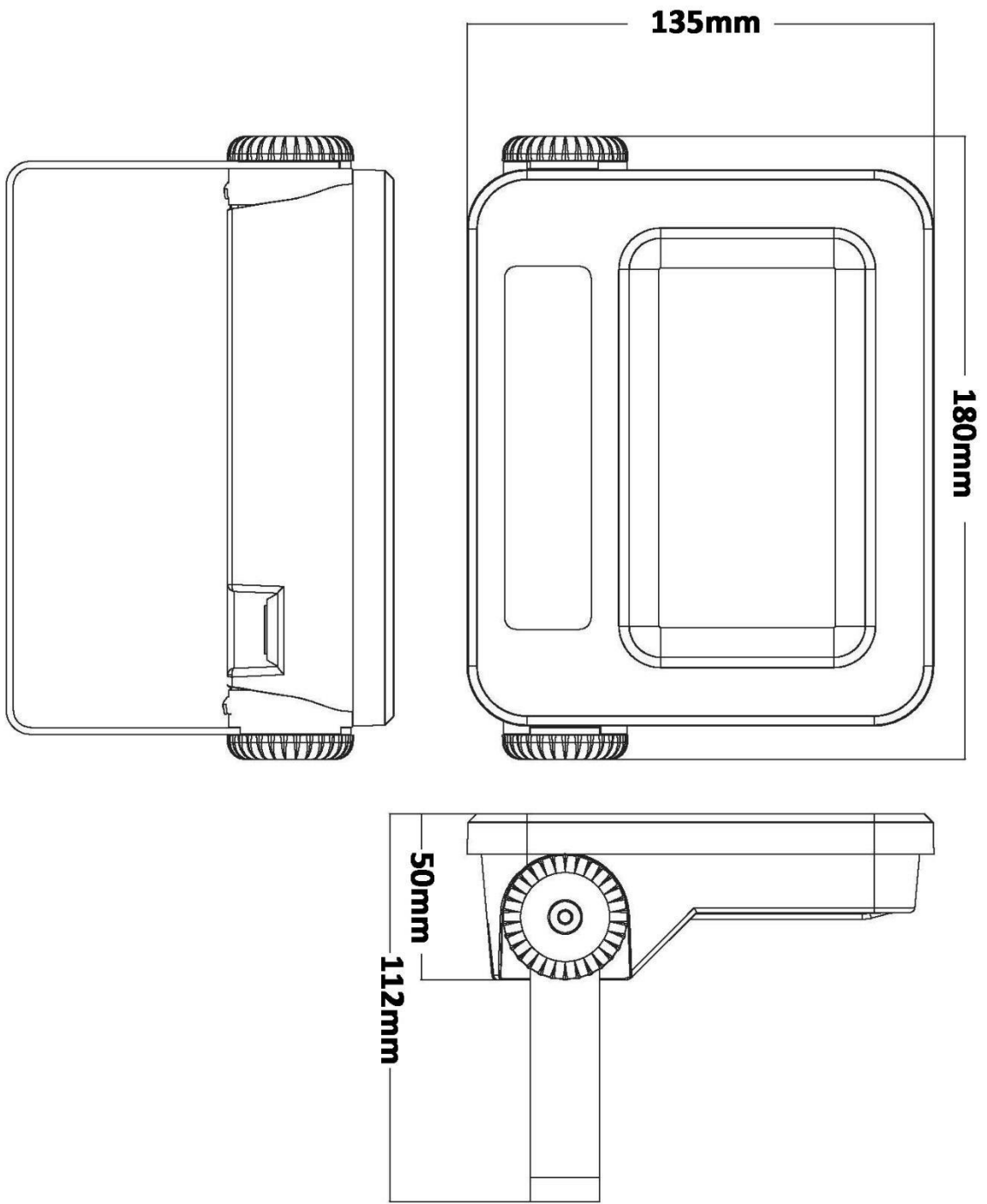


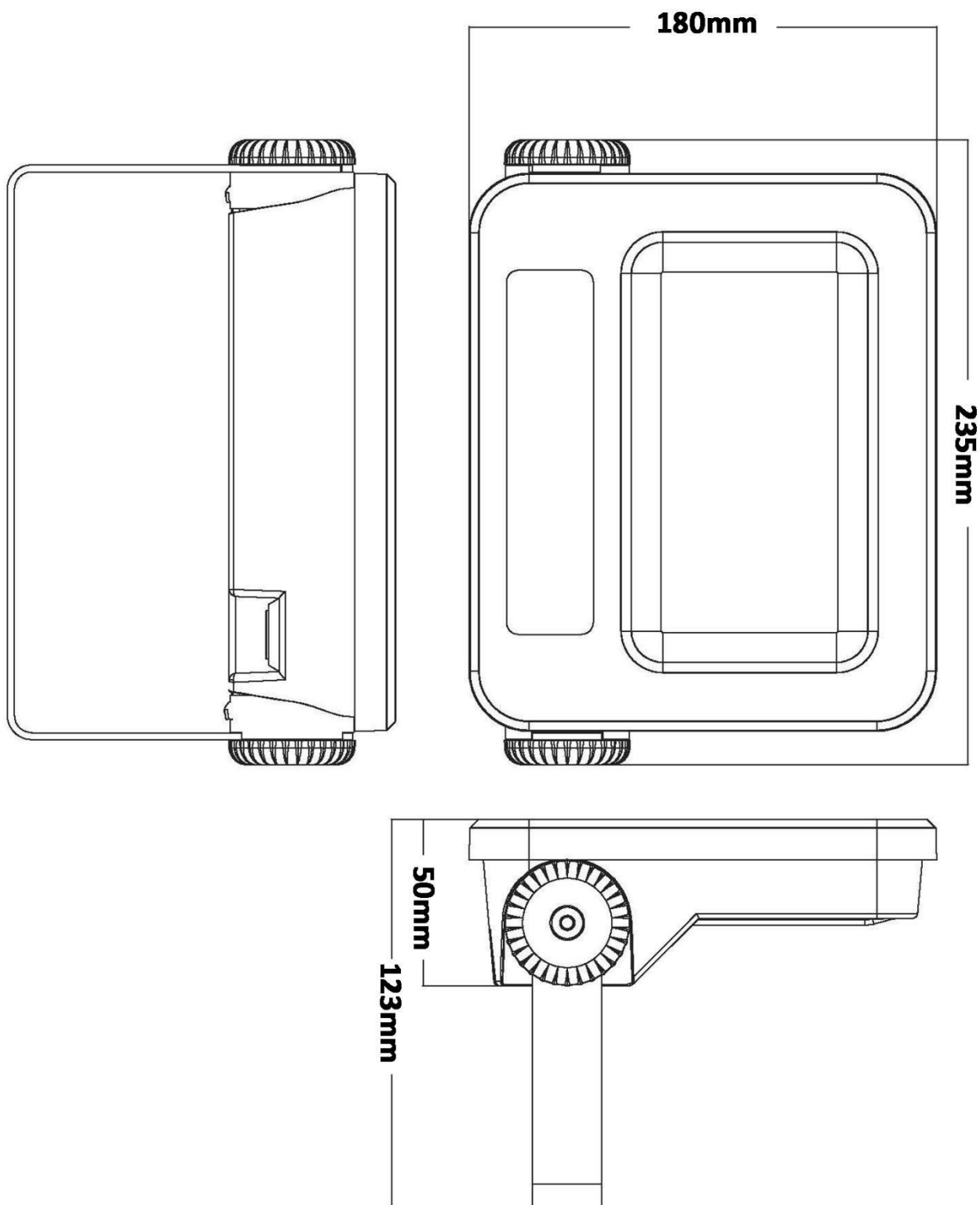
# Technický list LED reflektoru FB a FW

<b>Electrical data</b>	<b>Voltage</b>	AC220-240V
	<b>Frequency</b>	50Hz/60Hz
	<b>Wattage</b>	15W/30W/50W/100W
<b>Luminary data</b>	<b>Light</b>	Warm white/daylight/cold white
	<b>Color temp</b>	± 500K: 3000K/4000K/6500K
	<b>LM output</b> <b>15W</b> <b>30W</b> <b>50W</b> <b>100W</b>	1350lm/1400lm/1450lm 2700lm/2750lm/2800lm 4500lm/4550lm/4600lm 9900lm/10000lm/11000lm
	<b>Chip type</b>	SMD 2835-Hongli
	<b>CRI</b>	≥80
	<b>Lifespan</b>	≥25,000hours
	<b>Opening degree</b>	80°
<b>Driver</b>	<b>Driver type</b>	Switch IC driver
	<b>Capacitor</b>	AISHI
	<b>Surge protection</b>	2.5KV
	<b>Power factor</b>	≥0.9
<b>Others</b>	<b>Ambient temperature</b>	-20°C~+40°C
	<b>Humidity</b>	20%~100%RH Non-condensing
	<b>Storage temp.</b>	-20°C~+50°C
	<b>Storage humidity</b>	20%~90%RH
	<b>IP/IK</b>	IP65/IK08
	<b>Material</b>	PC+Alu.
	<b>Base</b>	bracket
	<b>Net weight</b>	240g/385g/508g/680g
<b>Standard</b>	<b>Environment</b>	ROHS/WEEE
<b>Standard</b>	<b>Regulation</b>	CE(EMC+LVD)

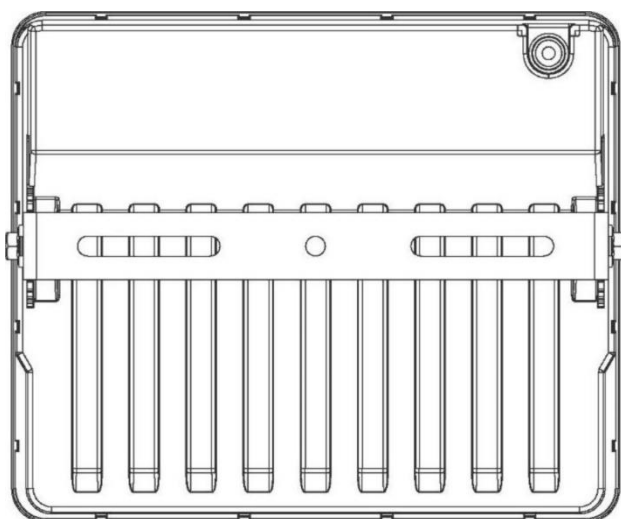
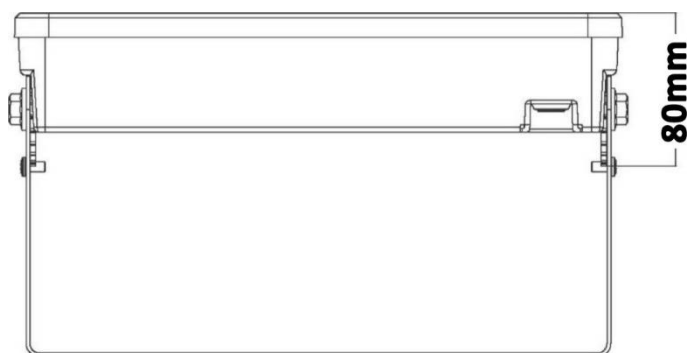
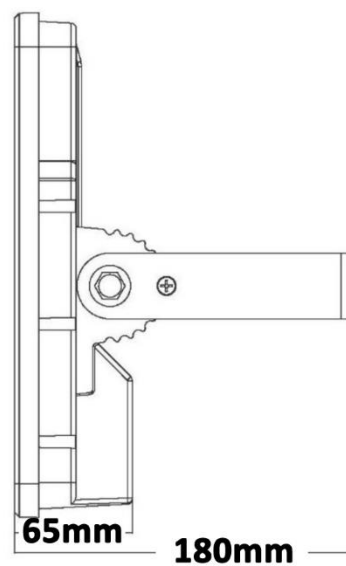
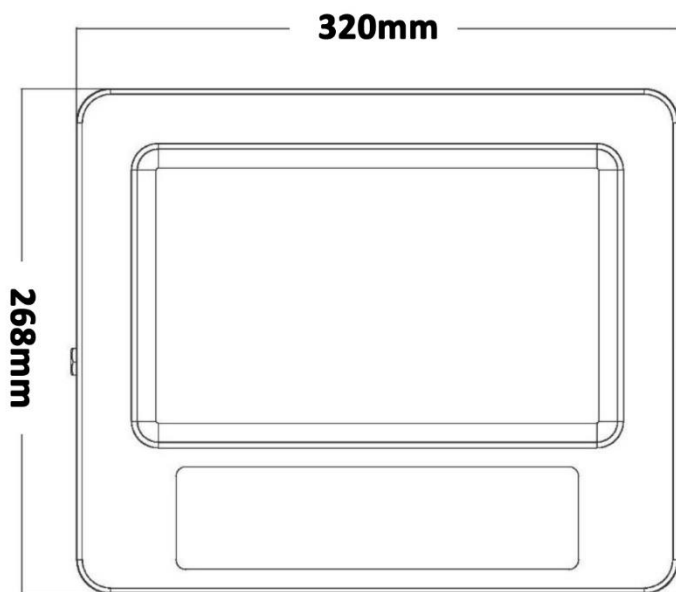
# Mechanical drawing: 15W/30W



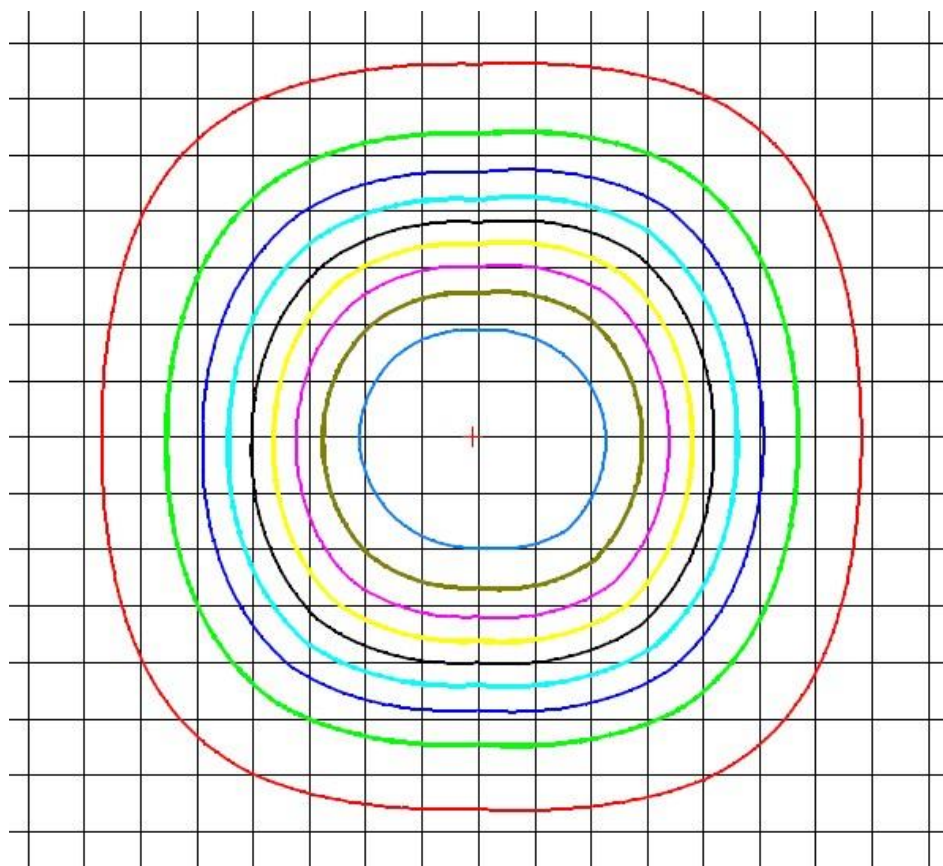
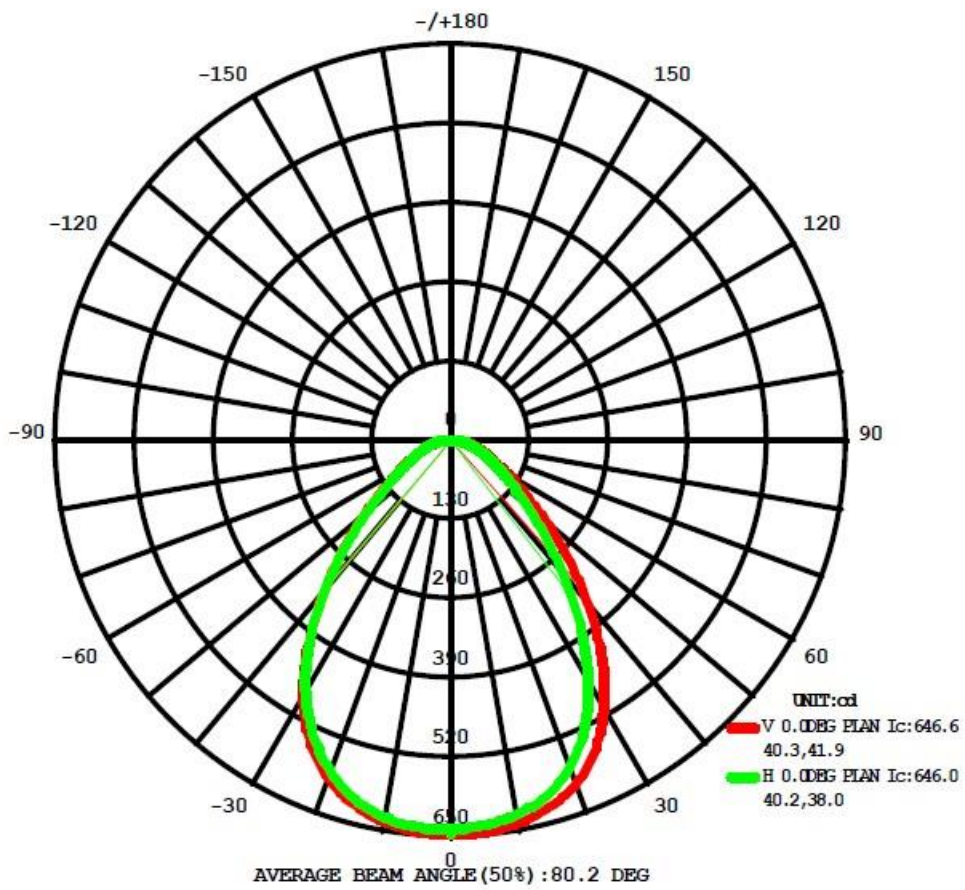
**50W**



# 100W

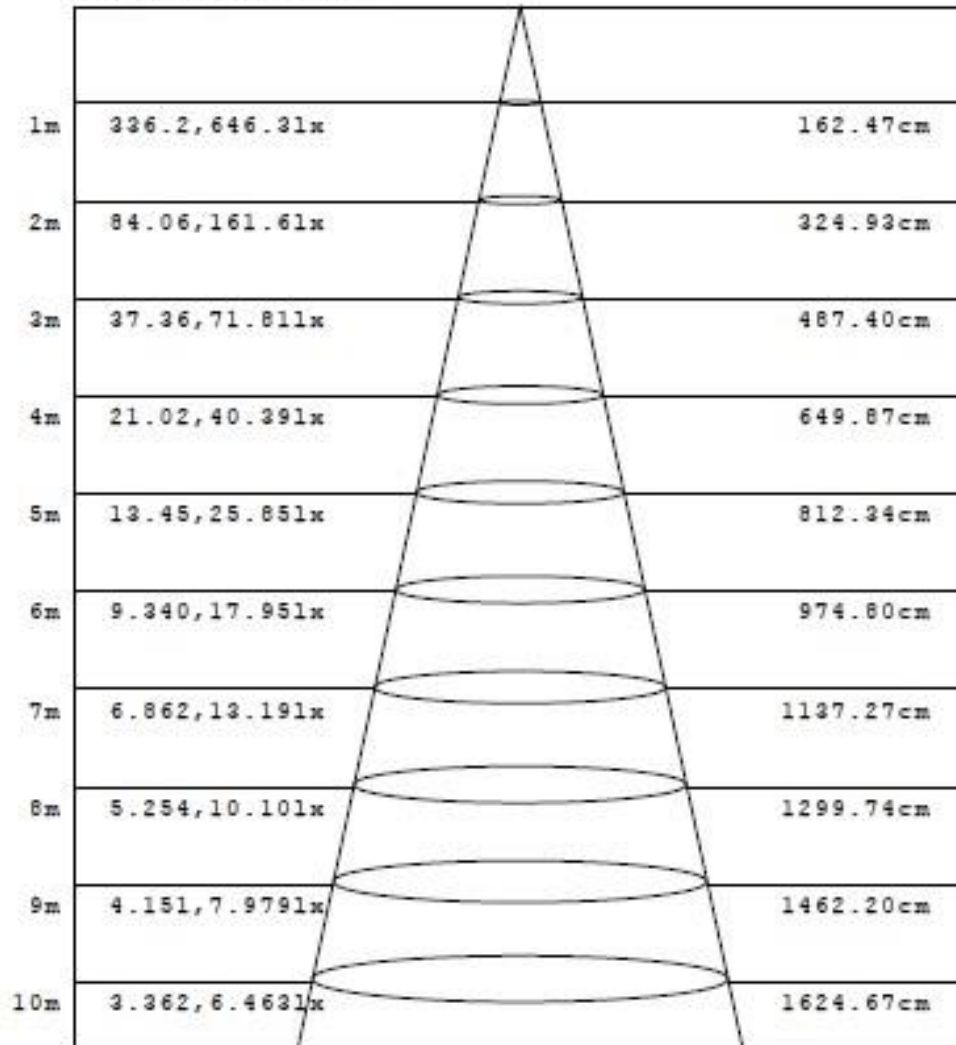


# Beam Curve



# 15W

Flux out: 743.8 lm



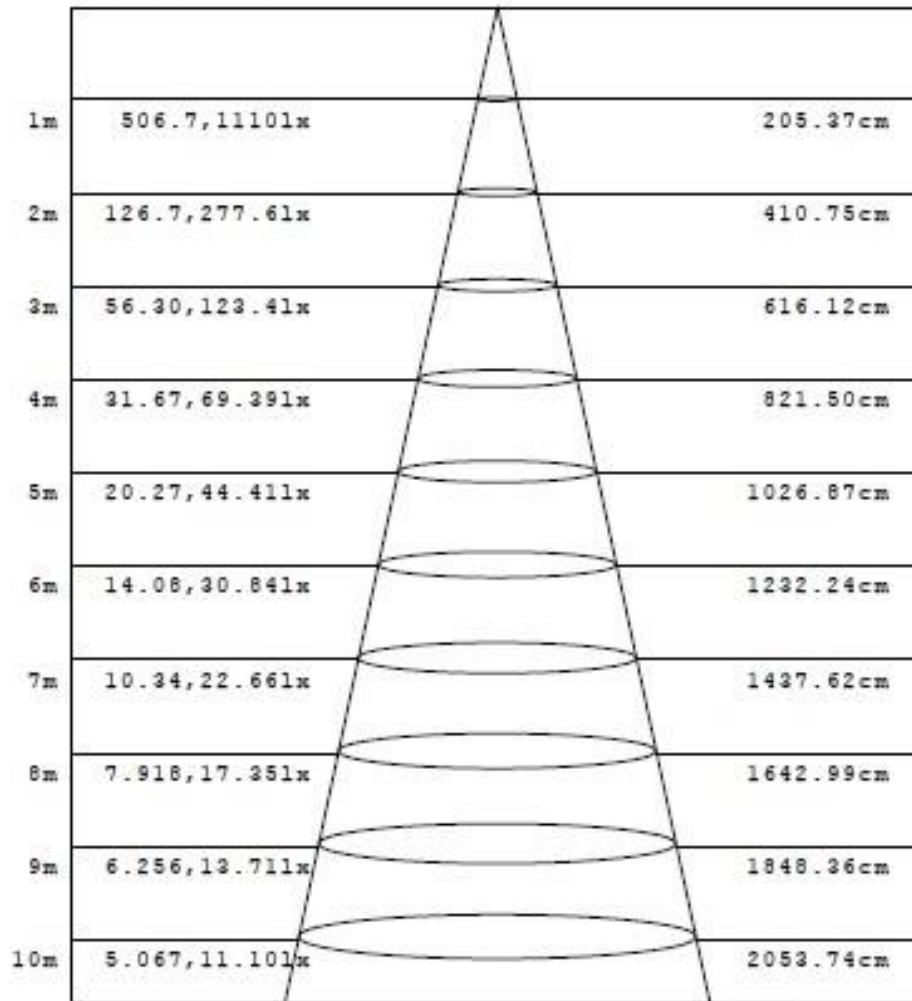
Height                      Eavg, Emax                      Angle: 78.18deg                      Diameter

Note: The Curves indicate the illuminated area and the average illumination when the luminaire is at different distance.

# 30W

AAI Figure

Flux out: 1707 lm

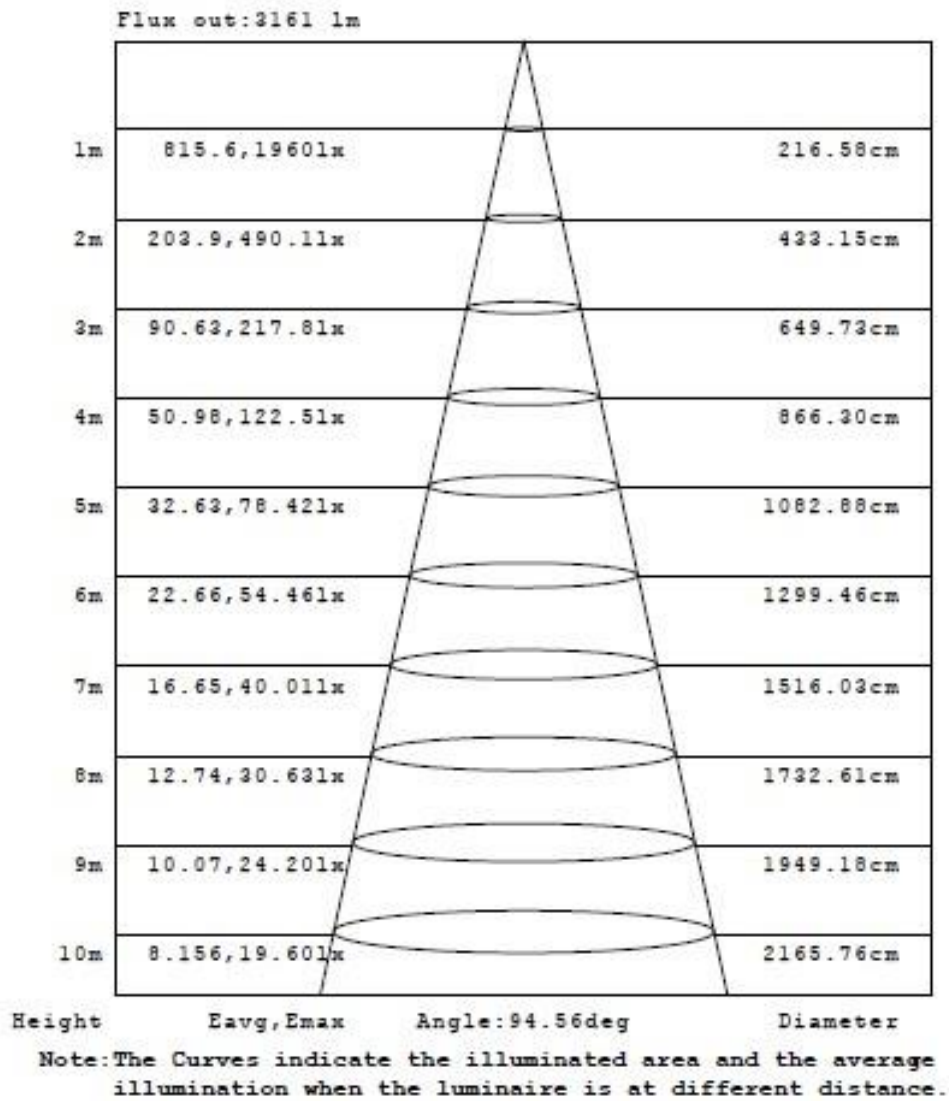


Height                      Eavg, Emax                      Angle: 91.52deg                      Diameter

Note: The Curves indicate the illuminated area and the average illumination when the luminaire is at different distance.

# 50W

AAI Figure





# 100W

AAI Figure

