

Luminaire Property

Luminaire:

Report NO.:

Test NO.:

Lamp: [LAMP] T8-TP150/160lm

Sum Lumens: 4092.59 lm

Number of Lamps: 1

Diameter: 0mm

Length: 1512mm

Photometric Type: Type C

Voltage: 218.4 V

Current: 0.1232 A

Power: 25.92 W

Power Factor: 0.963

Ballast Type:

Width: 30mm

Height: 26mm

Remark:

Photometric Results

Lumens: 4092.59 lm

Efficiency: 100%

Central Intensity: 1104.56cd

Maximum Intensity: 1106.35cd

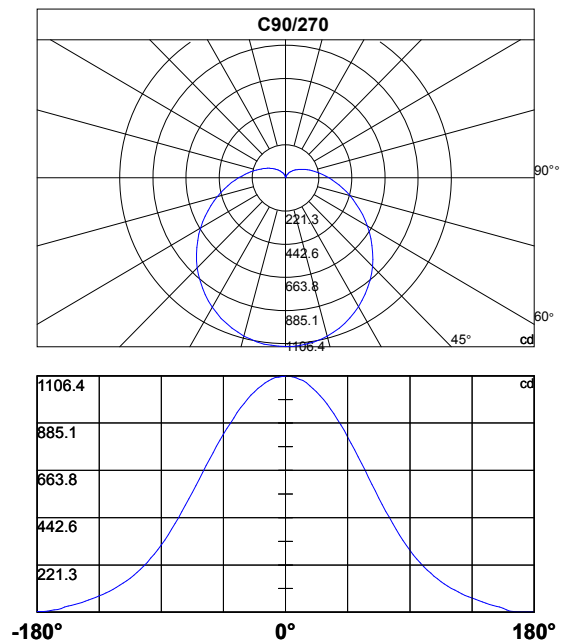
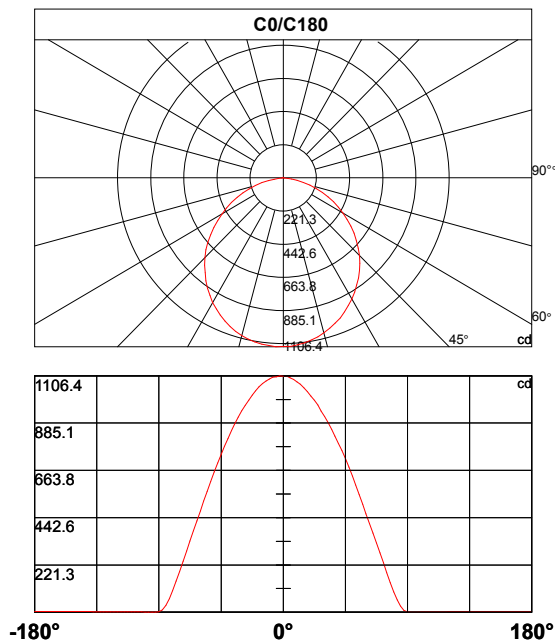
Beam Angle(10%): Left: -120.7 Right:121.9

Angle of maximum intensity: C:280.0 G:2.5

Half Peak Side Angle(50%): Left: -65.3 Right:67.8

Up Flux Rate: 11.52%

Down Flux Rate: 88.48%



Photometric Data Table [cd]

Cvγ	0.0	2.5	5.0	7.5	10.0	12.5	15.0	17.5	20.0	22.5
0.0	1104.6	1104.0	1097.5	1090.1	1077.7	1066.1	1049.8	1033.0	1011.8	992.2
5.0	1104.6	1100.1	1095.5	1087.2	1077.1	1063.3	1049.3	1027.0	1006.3	983.7
10.0	1104.6	1103.0	1097.5	1088.8	1077.6	1061.6	1044.8	1024.9	1001.8	976.8
15.0	1104.6	1101.9	1094.8	1085.8	1071.9	1058.0	1039.5	1016.0	996.0	967.6
20.0	1104.6	1099.1	1091.4	1081.8	1069.9	1054.8	1033.5	1015.3	991.2	965.7
25.0	1104.6	1099.6	1092.2	1082.1	1070.4	1055.3	1033.9	1011.7	986.6	959.5
30.0	1104.6	1100.2	1092.9	1084.1	1069.8	1053.9	1035.3	1014.1	991.4	966.6
35.0	1104.6	1101.8	1097.7	1088.9	1081.0	1067.8	1053.4	1038.9	1020.5	999.3
40.0	1104.6	1100.3	1095.3	1089.4	1079.3	1065.5	1051.8	1034.3	1014.9	993.0
45.0	1104.6	1100.8	1093.6	1083.9	1072.2	1056.3	1039.1	1018.6	998.2	976.2
50.0	1104.6	1102.6	1097.2	1088.5	1080.5	1068.8	1054.6	1041.9	1022.1	1002.4
55.0	1104.6	1100.6	1099.1	1090.5	1079.5	1067.8	1052.8	1038.2	1020.2	1000.8
60.0	1104.6	1102.7	1097.9	1089.4	1083.0	1069.6	1058.7	1041.8	1025.2	1004.8
65.0	1104.6	1100.8	1097.3	1089.3	1079.9	1070.7	1056.3	1040.9	1025.2	1003.1
70.0	1104.6	1100.2	1095.8	1091.2	1078.8	1067.5	1056.0	1039.6	1019.8	1002.9
75.0	1104.6	1102.0	1097.0	1090.1	1082.4	1072.3	1059.0	1044.3	1030.8	1012.6
80.0	1104.6	1103.8	1097.6	1090.4	1083.9	1073.3	1063.1	1048.0	1032.5	1018.0
85.0	1104.6	1102.8	1097.3	1091.2	1085.2	1074.0	1062.2	1048.8	1034.8	1017.8
90.0	1104.6	1104.3	1101.9	1097.3	1090.2	1084.2	1073.9	1060.1	1046.3	1031.4
95.0	1104.6	1103.4	1100.3	1093.7	1086.4	1080.3	1069.0	1058.2	1043.3	1028.9
100.0	1104.6	1105.1	1102.3	1096.2	1090.4	1080.6	1067.5	1056.4	1042.6	1027.3
105.0	1104.6	1105.2	1101.6	1095.2	1088.0	1078.8	1066.7	1054.0	1037.7	1021.4
110.0	1104.6	1106.0	1098.9	1094.5	1086.2	1076.7	1062.2	1049.8	1033.0	1015.7
115.0	1104.6	1104.8	1100.5	1097.3	1089.4	1079.7	1067.7	1055.1	1039.1	1023.4
120.0	1104.6	1104.5	1099.5	1093.6	1086.7	1075.7	1063.8	1049.0	1032.3	1014.5
125.0	1104.6	1103.4	1101.7	1094.2	1086.0	1076.1	1063.6	1048.7	1031.8	1014.1
130.0	1104.6	1105.7	1102.6	1094.4	1085.9	1075.8	1063.2	1048.4	1031.0	1013.1
135.0	1104.6	1101.8	1102.2	1092.6	1084.0	1072.7	1055.8	1040.2	1018.5	996.5
140.0	1104.6	1105.9	1102.4	1096.4	1087.0	1077.6	1065.5	1047.4	1027.6	1007.8
145.0	1104.6	1104.4	1100.3	1094.1	1088.0	1076.7	1063.8	1049.2	1029.9	1012.0
150.0	1104.6	1104.9	1099.6	1093.8	1085.1	1071.6	1056.5	1039.5	1017.6	993.8
155.0	1104.6	1104.5	1103.7	1096.8	1088.9	1078.0	1064.4	1052.0	1031.0	1010.3
160.0	1104.6	1102.9	1102.7	1098.1	1092.3	1083.2	1072.3	1057.1	1039.6	1020.4
165.0	1104.6	1104.4	1103.4	1098.6	1091.6	1080.6	1069.3	1055.6	1038.5	1017.8
170.0	1104.6	1104.3	1102.7	1100.0	1094.3	1083.8	1074.2	1060.7	1042.8	1023.6
175.0	1104.6	1105.3	1105.4	1103.0	1096.4	1086.7	1076.9	1062.8	1047.6	1028.4
180.0	1104.6	1106.3	1101.6	1099.4	1090.9	1081.3	1069.3	1054.9	1035.9	1015.5
185.0	1104.6	1104.0	1101.2	1094.8	1084.7	1073.1	1058.5	1042.0	1021.5	999.0
190.0	1104.6	1104.4	1102.2	1095.6	1084.6	1073.7	1057.4	1040.7	1019.1	997.2
195.0	1104.6	1106.2	1102.6	1095.4	1085.6	1073.2	1057.3	1037.7	1017.4	993.5
200.0	1104.6	1102.3	1098.9	1094.6	1085.6	1072.7	1054.9	1036.7	1016.8	995.6
205.0	1104.6	1105.2	1103.2	1097.5	1085.6	1072.3	1059.7	1038.2	1017.4	990.6
210.0	1104.6	1105.8	1103.2	1094.6	1087.5	1074.8	1060.8	1042.9	1022.2	999.8
215.0	1104.6	1105.0	1102.4	1099.2	1091.1	1084.5	1071.4	1056.3	1040.9	1022.6
220.0	1104.6	1104.0	1100.2	1096.5	1087.8	1078.5	1065.8	1051.2	1032.0	1013.4
225.0	1104.6	1104.9	1103.1	1096.1	1084.8	1075.0	1060.8	1044.7	1023.9	1004.4
230.0	1104.6	1104.9	1104.9	1099.7	1091.6	1083.5	1074.8	1061.7	1047.5	1029.3
235.0	1104.6	1104.4	1102.9	1098.5	1092.1	1083.5	1073.5	1061.0	1045.2	1028.9

Photometric Data Table [cd]

240.0	1104.6	1104.8	1105.0	1101.3	1095.2	1087.7	1077.1	1064.0	1052.2	1034.4
245.0	1104.6	1104.5	1105.1	1101.5	1096.2	1087.7	1077.0	1066.3	1053.9	1037.5
250.0	1104.6	1104.8	1103.6	1100.8	1093.2	1085.2	1077.8	1066.9	1050.9	1037.7
255.0	1104.6	1104.3	1105.1	1099.5	1096.9	1089.5	1080.2	1069.7	1057.8	1043.1
260.0	1104.6	1106.0	1104.3	1103.0	1098.1	1090.5	1080.5	1071.2	1059.7	1045.8
265.0	1104.6	1104.4	1105.2	1100.7	1096.5	1088.4	1079.5	1069.4	1057.4	1044.5
270.0	1104.6	1103.3	1100.5	1098.2	1090.8	1081.8	1073.3	1059.2	1047.5	1031.5
275.0	1104.6	1102.4	1100.8	1097.7	1090.8	1082.6	1072.1	1058.8	1045.0	1031.5
280.0	1104.6	1106.3	1102.2	1098.1	1093.0	1082.6	1074.4	1060.8	1047.5	1034.5
285.0	1104.6	1103.9	1104.5	1097.4	1091.0	1079.9	1072.2	1059.6	1047.7	1029.6
290.0	1104.6	1102.8	1101.0	1097.1	1087.2	1078.5	1069.4	1055.8	1042.7	1025.0
295.0	1104.6	1105.0	1101.8	1096.6	1091.7	1081.3	1070.9	1058.0	1042.9	1027.6
300.0	1104.6	1103.1	1100.6	1096.6	1087.4	1078.7	1068.9	1054.0	1038.2	1022.5
305.0	1104.6	1103.1	1099.6	1094.5	1087.7	1076.6	1063.4	1050.1	1034.5	1017.4
310.0	1104.6	1103.3	1101.3	1093.8	1084.4	1073.7	1059.6	1046.1	1028.0	1012.1
315.0	1104.6	1103.4	1097.5	1093.3	1081.6	1069.9	1053.4	1036.9	1018.1	993.8
320.0	1104.6	1103.9	1098.8	1091.6	1085.3	1071.8	1056.6	1041.4	1021.3	1000.1
325.0	1104.6	1101.9	1097.4	1089.4	1081.4	1068.0	1053.8	1037.5	1017.7	998.1
330.0	1104.6	1102.9	1097.0	1089.1	1078.4	1064.1	1047.6	1028.3	1008.1	982.8
335.0	1104.6	1101.5	1095.9	1088.2	1079.0	1064.2	1049.6	1031.4	1011.9	988.9
340.0	1104.6	1101.6	1094.5	1087.5	1076.5	1064.7	1050.9	1035.9	1015.4	994.1
345.0	1104.6	1102.7	1096.8	1088.9	1080.9	1067.6	1055.1	1037.2	1017.0	997.8
350.0	1104.6	1098.1	1093.4	1087.5	1077.0	1065.3	1051.2	1036.3	1014.5	994.7
355.0	1104.6	1101.1	1095.1	1086.3	1076.6	1063.3	1047.9	1030.5	1013.5	994.1
360.0	1104.6	1104.0	1097.5	1090.1	1077.7	1066.1	1049.8	1033.0	1011.8	992.2

Cv	25.0	27.5	30.0	32.5	35.0	37.5	40.0	42.5	45.0	47.5
0.0	968.6	941.0	916.0	886.9	855.8	824.8	790.5	756.5	720.0	679.4
5.0	958.7	932.0	903.6	871.9	842.3	809.0	775.5	739.5	703.2	662.2
10.0	950.3	920.3	892.0	858.7	824.9	790.2	754.0	716.7	678.6	640.7
15.0	939.0	909.0	878.6	845.7	808.5	774.3	740.0	705.2	669.5	630.7
20.0	935.3	905.4	876.2	840.6	804.6	769.7	732.0	695.5	657.0	619.2
25.0	929.5	896.7	863.2	826.9	791.0	752.8	718.0	682.4	649.6	615.9
30.0	941.8	912.9	887.4	858.0	828.4	798.3	765.1	729.1	691.9	653.7
35.0	977.2	952.8	926.0	896.1	862.5	827.8	788.7	750.1	710.9	672.8
40.0	967.7	937.2	908.1	874.7	840.4	804.4	771.4	737.2	703.7	666.3
45.0	952.1	927.7	903.3	875.2	848.1	819.1	787.7	757.0	723.8	690.1
50.0	980.5	957.2	932.4	905.3	877.6	848.7	816.9	784.6	751.8	716.2
55.0	978.4	956.3	929.5	903.9	874.8	846.5	817.0	786.9	756.0	722.4
60.0	981.9	959.9	937.3	911.7	884.0	858.0	828.9	796.8	765.9	731.9
65.0	983.3	960.8	937.6	912.4	885.3	858.1	826.2	796.2	767.1	731.4
70.0	981.0	959.0	936.6	912.4	884.6	858.4	832.3	803.4	775.7	745.0
75.0	994.8	975.6	954.0	930.3	906.7	883.2	857.5	829.5	802.2	770.4
80.0	999.8	979.6	959.3	936.5	911.6	886.8	860.4	834.3	804.8	774.1
85.0	998.5	978.6	957.2	935.7	911.5	886.9	861.6	833.3	805.7	774.7
90.0	1012.9	994.6	974.1	950.6	928.7	901.9	876.5	849.4	820.5	789.9
95.0	1010.4	990.5	969.7	946.9	922.9	897.9	872.1	844.6	816.0	787.2
100.0	1008.0	988.8	968.0	945.2	921.7	893.9	866.7	839.2	809.8	779.4

Photometric Data Table [cd]

105.0	1002.2	982.7	961.2	936.7	913.1	886.2	859.2	831.2	801.9	772.0
110.0	994.5	970.9	948.1	921.3	893.9	866.0	836.5	806.9	775.7	745.7
115.0	1003.3	985.7	961.2	936.9	910.5	884.1	854.9	822.2	788.0	753.4
120.0	995.9	974.1	952.8	928.2	904.0	875.8	847.0	818.5	788.4	757.5
125.0	991.7	971.3	946.4	919.9	893.5	864.6	834.5	805.8	774.1	742.6
130.0	991.4	968.6	944.4	917.1	888.5	859.3	829.0	798.8	766.1	733.1
135.0	971.3	945.6	916.8	889.1	862.7	831.3	802.1	769.1	735.3	701.8
140.0	987.6	960.4	932.5	903.3	872.2	837.2	802.9	766.9	731.2	694.1
145.0	990.1	965.3	939.3	909.2	879.5	845.0	811.9	773.5	736.1	698.0
150.0	968.2	942.2	912.5	882.7	851.9	820.5	789.6	755.9	719.0	679.9
155.0	983.5	957.0	927.0	892.8	859.1	822.9	783.7	745.5	706.1	668.8
160.0	998.2	972.8	944.8	913.1	880.5	844.3	806.0	767.1	724.0	683.5
165.0	993.7	969.2	940.6	910.1	878.2	844.1	807.1	770.3	730.0	689.0
170.0	1001.4	976.4	948.0	916.3	883.4	847.4	808.8	768.2	726.9	683.6
175.0	1007.4	983.0	958.1	927.6	898.1	863.1	828.4	790.9	749.7	707.9
180.0	991.6	968.4	941.8	911.9	881.8	848.7	812.2	776.4	738.9	698.7
185.0	975.2	948.9	923.0	890.6	859.0	825.6	791.4	754.7	716.2	677.7
190.0	972.2	945.0	914.1	883.6	850.1	815.8	778.3	743.2	705.0	665.8
195.0	969.5	940.4	909.7	877.4	844.2	809.6	774.2	738.4	701.8	664.8
200.0	967.7	940.1	908.6	876.3	844.0	807.8	771.9	733.9	696.7	657.7
205.0	962.4	933.4	902.0	868.2	834.3	798.8	762.7	727.0	693.8	660.5
210.0	976.5	951.0	925.3	897.9	869.6	841.4	809.1	775.2	737.8	701.2
215.0	1000.9	978.9	952.5	924.0	894.0	860.0	825.1	787.6	750.7	713.5
220.0	990.4	966.2	936.7	906.2	875.9	840.5	807.7	773.8	739.6	706.8
225.0	981.5	960.2	934.7	908.5	882.6	854.8	825.0	795.0	763.5	731.3
230.0	1009.2	988.9	966.0	940.7	915.1	887.1	856.2	825.1	794.1	761.8
235.0	1011.1	990.3	967.2	941.5	916.6	888.1	861.5	829.7	800.2	771.8
240.0	1016.6	995.8	975.5	951.6	928.2	901.3	873.7	844.9	813.5	782.2
245.0	1020.1	999.1	978.1	953.9	929.7	903.2	876.4	846.2	814.5	784.7
250.0	1017.5	997.8	977.0	953.9	930.7	905.0	877.8	851.6	823.5	795.2
255.0	1027.1	1012.2	990.9	971.3	949.2	926.0	902.2	876.0	848.2	821.2
260.0	1029.9	1013.0	996.4	974.3	952.9	928.3	904.2	877.3	851.6	822.4
265.0	1029.2	1010.1	991.5	970.4	949.7	926.3	902.6	876.0	848.6	820.3
270.0	1016.6	996.3	977.6	957.1	934.6	909.3	884.3	860.8	833.7	805.2
275.0	1016.5	996.9	977.3	957.4	933.0	910.2	885.9	860.7	834.2	806.0
280.0	1016.0	996.5	977.7	955.5	932.5	910.5	884.8	856.8	832.1	801.5
285.0	1009.7	992.4	970.1	949.6	926.3	903.1	877.5	853.0	827.1	797.0
290.0	1006.1	985.6	961.8	937.0	912.7	886.9	858.3	828.5	801.0	770.3
295.0	1009.5	991.6	971.0	948.9	923.3	900.9	873.0	844.6	814.9	780.3
300.0	1002.8	982.6	960.3	938.1	913.0	887.9	860.9	834.1	806.5	776.3
305.0	998.6	976.4	954.0	928.9	904.4	877.2	848.2	818.7	790.1	757.1
310.0	989.7	968.8	948.1	920.1	894.5	865.9	837.5	807.4	776.7	743.0
315.0	971.0	943.8	918.9	890.7	859.8	832.3	802.4	771.3	739.3	704.8
320.0	975.8	950.1	922.4	893.5	863.4	830.9	798.5	760.8	727.3	689.9
325.0	973.8	949.0	923.6	893.5	863.1	830.4	795.3	759.3	722.8	683.7
330.0	955.2	925.9	896.3	867.2	834.9	804.5	771.0	738.6	703.2	663.8
335.0	963.3	936.0	906.9	874.1	842.6	806.7	767.6	731.5	693.1	653.5
340.0	971.8	946.6	918.5	885.4	854.4	819.0	783.2	744.3	706.1	663.8
345.0	974.6	946.8	918.4	888.2	856.0	822.6	785.5	747.5	709.7	667.7

Photometric Data Table [cd]

350.0	970.8	947.3	920.4	888.7	858.6	824.7	789.2	753.7	716.1	674.5
355.0	970.0	943.7	917.9	889.5	857.9	826.4	794.5	759.2	721.8	682.6
360.0	968.6	941.0	916.0	886.9	855.8	824.8	790.5	756.5	720.0	679.4

Cv	50.0	52.5	55.0	57.5	60.0	62.5	65.0	67.5	70.0	72.5
0.0	637.3	594.4	550.0	504.6	460.3	415.3	369.9	324.1	277.6	231.4
5.0	621.8	582.0	538.6	497.3	454.5	411.3	367.6	323.4	278.4	232.9
10.0	602.1	564.1	524.9	484.4	441.3	399.9	356.7	312.6	269.3	226.2
15.0	592.0	551.7	512.5	472.4	431.2	389.5	348.2	307.2	268.2	232.9
20.0	579.5	542.8	502.7	462.5	425.2	387.6	349.9	314.8	282.0	251.2
25.0	581.6	545.7	509.0	472.9	436.4	402.1	367.7	333.3	300.4	268.1
30.0	614.2	577.9	539.9	503.5	466.8	431.0	396.2	360.7	328.5	300.6
35.0	636.3	598.2	562.5	526.5	490.1	456.1	421.4	389.4	359.9	330.5
40.0	634.2	598.2	562.7	528.3	493.4	461.1	431.5	403.3	373.6	344.4
45.0	656.4	620.8	585.7	553.0	520.6	488.4	457.4	425.7	394.5	366.0
50.0	683.7	650.5	616.3	583.7	548.8	514.0	479.4	446.6	418.2	390.8
55.0	690.9	656.8	621.8	587.8	552.6	519.8	488.6	459.9	431.1	403.6
60.0	698.9	663.4	629.6	596.7	565.7	535.8	505.8	475.8	447.1	417.5
65.0	698.3	670.2	637.8	607.2	577.5	547.7	517.1	487.7	457.9	430.6
70.0	715.4	686.7	655.1	626.0	595.6	565.0	534.1	505.0	475.1	445.7
75.0	741.7	708.6	679.5	647.5	616.0	584.2	553.0	522.2	492.4	462.3
80.0	744.3	714.1	682.5	649.8	618.9	587.1	555.3	523.3	492.8	463.2
85.0	745.8	714.0	682.5	651.0	619.0	587.1	555.2	524.0	492.3	463.0
90.0	759.0	727.4	695.8	663.8	630.5	598.7	566.5	534.9	503.3	472.6
95.0	756.0	723.7	691.9	659.5	627.1	593.6	561.5	529.7	499.3	468.6
100.0	749.4	717.2	686.0	653.2	621.3	589.0	556.8	524.8	494.8	464.1
105.0	741.6	709.3	676.3	643.7	611.2	579.0	547.3	515.5	485.3	455.2
110.0	714.0	683.0	651.4	619.7	588.4	556.5	526.1	494.4	464.8	435.8
115.0	719.0	683.3	649.0	614.4	581.9	549.3	518.5	488.2	457.1	428.4
120.0	724.2	689.5	653.0	615.2	578.4	542.9	510.1	478.5	447.5	418.5
125.0	711.6	679.5	646.7	613.4	577.4	540.4	502.7	467.2	435.6	405.5
130.0	699.7	665.2	633.0	600.0	567.9	535.5	500.7	463.3	427.5	393.9
135.0	669.5	634.5	601.2	568.3	535.4	504.1	473.9	443.0	410.0	374.6
140.0	658.4	622.2	586.9	552.5	517.7	484.0	452.7	422.9	395.1	366.0
145.0	659.2	621.6	584.2	546.1	509.3	472.9	438.0	403.9	374.0	345.2
150.0	640.7	600.4	562.2	523.2	485.9	448.7	411.4	375.7	340.8	308.5
155.0	631.5	591.2	551.8	510.6	470.7	430.8	392.8	354.8	319.1	283.1
160.0	639.1	596.7	552.4	508.5	464.8	421.4	379.0	338.4	299.9	263.9
165.0	646.7	601.1	556.1	510.3	464.5	417.9	371.5	326.5	283.4	243.5
170.0	640.5	598.9	555.3	510.8	464.2	417.0	369.6	322.4	276.3	231.6
175.0	661.8	615.1	567.2	518.9	470.6	422.5	375.4	327.9	280.7	234.8
180.0	656.1	611.3	565.8	519.8	474.2	427.5	380.4	333.3	285.8	238.5
185.0	636.1	594.0	553.0	509.7	466.4	422.1	376.9	332.2	286.0	240.1
190.0	626.7	587.6	547.8	505.3	462.5	418.5	373.7	328.0	283.2	239.7
195.0	625.0	585.3	545.1	502.3	460.9	418.7	376.3	334.6	294.3	256.3
200.0	619.2	580.2	543.2	503.3	465.0	425.1	387.7	351.3	316.2	283.1
205.0	626.3	590.4	554.9	517.7	481.8	445.9	411.3	375.5	341.3	308.2
210.0	662.0	624.5	588.2	551.4	514.6	478.7	443.0	406.5	372.7	342.2

Photometric Data Table [cd]

215.0	675.5	640.2	603.7	567.8	532.5	497.1	463.2	428.8	399.2	369.7
220.0	671.7	636.9	604.2	568.7	534.9	502.7	471.8	442.0	412.5	382.9
225.0	696.6	662.6	630.4	596.9	565.0	533.8	502.1	470.0	438.4	408.4
230.0	729.6	697.0	665.5	632.2	598.4	564.3	530.8	496.3	464.3	435.2
235.0	740.3	707.5	674.5	640.8	606.3	572.8	539.9	509.4	479.0	450.0
240.0	751.9	717.9	683.8	650.4	617.9	587.3	556.8	525.9	495.4	465.8
245.0	752.1	720.2	690.7	658.8	628.8	598.1	568.4	537.9	508.2	479.0
250.0	766.5	736.7	707.6	677.6	647.2	616.1	586.3	555.2	525.1	495.0
255.0	791.3	761.1	731.2	699.9	668.4	637.2	605.2	573.3	542.7	511.3
260.0	793.3	762.3	731.9	701.0	669.6	638.8	606.0	575.0	543.6	512.8
265.0	792.2	761.0	730.3	698.1	666.7	636.3	605.0	574.0	542.8	512.0
270.0	776.1	746.7	715.8	686.6	654.0	623.2	592.6	560.9	529.9	500.1
275.0	778.0	746.6	716.4	684.9	654.7	623.0	591.9	560.6	530.2	499.8
280.0	772.2	742.2	712.3	681.1	648.7	618.5	587.3	556.3	526.1	495.6
285.0	766.4	735.1	705.3	672.0	642.0	610.0	579.1	548.2	517.3	488.5
290.0	739.9	708.5	677.7	647.4	616.7	586.8	555.4	525.4	495.3	466.5
295.0	747.4	710.6	676.9	643.8	611.2	578.9	548.3	518.3	487.9	457.9
300.0	746.1	713.4	678.1	641.8	605.6	569.5	536.7	505.6	475.6	445.8
305.0	727.5	695.7	665.0	632.4	599.8	564.8	528.3	491.8	459.2	429.3
310.0	710.6	676.2	643.0	610.3	580.5	549.7	517.3	482.7	446.9	413.6
315.0	672.0	639.9	605.9	573.5	540.6	509.5	479.3	451.2	421.4	389.5
320.0	654.5	618.8	583.7	549.2	515.6	482.2	450.1	421.3	393.1	367.5
325.0	646.0	607.2	570.8	534.8	497.1	462.5	429.0	395.1	364.1	336.0
330.0	625.2	584.6	544.1	506.7	469.4	433.7	398.4	364.6	331.1	299.0
335.0	616.9	577.9	538.2	498.0	457.3	417.4	378.7	342.9	308.5	276.2
340.0	622.7	580.6	538.0	496.0	453.2	411.9	369.7	328.6	290.3	255.0
345.0	625.1	582.4	538.4	493.5	448.4	405.4	362.0	319.4	277.8	238.4
350.0	634.3	590.7	546.7	500.3	453.0	404.9	357.9	311.1	266.3	224.6
355.0	640.8	597.9	553.4	508.8	461.7	415.9	369.3	322.2	274.0	227.0
360.0	637.3	594.4	550.0	504.6	460.3	415.3	369.9	324.1	277.6	231.4

Cvγ	75.0	77.5	80.0	82.5	85.0	87.5	90.0	92.5	95.0	97.5
0.0	184.2	138.3	95.0	57.6	28.1	7.9	1.3	1.1	1.0	1.0
5.0	187.4	143.4	103.1	68.0	40.6	21.2	10.4	6.5	5.1	4.9
10.0	185.4	149.8	117.7	89.0	65.3	46.5	32.4	23.5	17.9	14.8
15.0	200.8	170.5	141.7	116.3	94.0	75.2	59.3	47.1	38.4	31.8
20.0	221.1	192.8	167.1	143.5	122.3	103.3	86.2	72.4	61.5	52.3
25.0	239.0	215.6	192.8	170.6	149.7	130.6	112.9	98.0	85.2	74.1
30.0	274.7	248.8	224.2	201.0	179.6	159.3	141.1	125.1	111.0	98.6
35.0	301.0	275.3	248.7	224.1	203.2	182.9	164.2	148.1	133.8	121.7
40.0	314.7	288.6	263.1	239.5	218.5	199.2	180.3	164.0	149.7	137.0
45.0	337.9	312.2	285.9	263.5	241.9	221.8	201.9	184.3	169.1	154.6
50.0	363.3	335.4	311.3	287.4	265.0	244.2	223.8	204.7	188.5	172.5
55.0	375.0	349.5	324.7	300.7	278.2	257.5	236.2	217.1	199.8	184.1
60.0	390.9	364.3	339.9	315.2	292.9	270.9	249.7	230.1	212.0	195.8
65.0	402.6	377.0	351.3	326.6	303.7	280.9	260.2	240.2	221.8	204.7
70.0	417.9	391.4	364.5	340.0	316.5	292.4	270.8	251.1	232.3	214.7
75.0	432.9	405.4	379.0	352.7	327.9	303.5	281.5	260.4	241.5	223.5

Photometric Data Table [cd]

80.0	434.5	406.9	379.2	353.2	328.6	304.5	282.9	261.6	242.4	225.0
85.0	433.1	405.2	378.1	352.3	327.7	304.5	282.4	261.5	242.6	224.9
90.0	444.4	415.1	387.3	360.8	336.3	312.1	290.1	268.6	249.4	230.3
95.0	439.5	410.6	383.9	357.4	333.2	309.4	287.3	266.3	246.5	228.0
100.0	435.0	405.9	379.1	352.6	328.7	304.4	283.3	261.7	242.0	224.0
105.0	426.9	398.4	371.3	344.8	320.9	297.1	275.9	255.1	235.7	218.3
110.0	408.3	380.8	355.2	329.7	305.6	283.1	262.1	241.9	223.9	207.0
115.0	400.7	372.6	347.6	322.7	298.3	275.6	254.5	234.9	216.9	199.2
120.0	390.5	362.4	337.0	312.4	288.8	265.3	244.9	225.2	207.2	189.6
125.0	377.5	349.7	324.2	299.1	275.5	252.6	232.1	213.5	195.3	178.2
130.0	364.7	336.9	311.0	285.5	262.0	238.7	218.5	199.8	181.6	165.0
135.0	343.3	314.2	287.4	262.4	239.1	215.7	196.3	178.5	161.0	145.7
140.0	333.9	301.0	271.7	244.9	220.0	197.9	177.8	160.0	143.5	128.6
145.0	316.4	284.4	254.0	227.1	202.2	179.4	159.1	141.6	125.4	111.2
150.0	279.3	250.9	224.0	198.8	175.6	153.9	134.4	117.5	102.7	89.7
155.0	250.3	220.2	194.5	171.0	148.6	127.9	109.6	94.1	80.2	68.8
160.0	230.2	198.7	170.4	144.7	122.1	101.7	84.0	70.1	58.0	48.4
165.0	206.7	174.0	144.3	117.0	93.7	73.6	57.5	45.4	36.0	29.1
170.0	189.6	151.8	119.1	90.2	65.0	45.7	31.6	22.6	16.7	13.2
175.0	189.6	146.0	105.4	70.2	42.0	21.7	10.4	5.5	3.8	3.4
180.0	191.4	144.8	100.7	62.6	31.9	10.2	2.1	0.8	1.0	1.1
185.0	194.4	149.7	109.4	74.7	46.3	25.6	13.4	7.7	5.4	4.8
190.0	199.0	161.9	128.8	99.2	73.7	53.4	38.3	28.0	21.7	17.8
195.0	221.7	189.3	158.8	131.3	107.0	86.4	69.1	56.0	46.0	38.2
200.0	249.8	218.4	190.5	164.9	141.7	120.6	102.1	86.8	74.1	63.6
205.0	276.6	249.4	224.0	199.4	176.4	155.1	135.4	118.8	103.8	91.1
210.0	315.0	286.6	259.9	234.9	210.7	188.5	168.2	150.5	134.1	120.0
215.0	340.4	311.4	284.3	258.0	234.6	211.8	191.8	173.2	156.9	141.9
220.0	353.3	325.5	298.3	273.4	249.8	228.2	207.9	189.4	172.8	157.9
225.0	379.8	351.5	324.0	299.3	275.6	253.4	232.2	212.2	195.1	178.4
230.0	407.5	378.5	352.0	326.4	301.7	278.6	256.4	235.8	217.3	199.5
235.0	421.0	393.1	367.0	341.4	316.8	293.1	270.7	249.6	231.2	212.3
240.0	436.7	410.1	382.8	357.4	332.1	307.9	285.5	264.1	244.1	225.0
245.0	450.7	423.1	395.3	369.5	344.8	319.9	296.8	275.3	254.8	236.1
250.0	466.0	437.3	409.7	383.4	357.7	332.3	308.5	286.7	265.5	246.2
255.0	481.8	452.0	424.6	397.1	370.0	344.5	320.7	297.4	276.0	255.7
260.0	483.5	453.5	425.1	398.1	370.5	345.0	321.8	299.0	278.1	257.1
265.0	482.0	452.4	423.9	396.1	369.7	345.1	321.4	298.6	277.2	257.0
270.0	471.1	442.3	414.8	387.8	362.5	337.8	315.1	292.7	271.9	252.8
275.0	469.5	441.2	414.0	387.1	361.5	337.0	313.8	291.3	270.8	251.8
280.0	466.0	437.8	410.2	382.9	358.2	333.2	310.1	287.7	267.7	249.2
285.0	458.9	431.6	403.0	376.0	350.5	326.4	303.3	281.7	262.3	242.4
290.0	438.2	411.1	384.0	358.1	333.5	310.4	288.4	267.2	248.1	229.5
295.0	430.4	402.1	375.8	350.0	325.5	302.0	279.9	259.5	240.1	221.9
300.0	417.3	389.7	362.8	337.7	313.1	289.9	268.0	248.2	228.4	211.0
305.0	401.5	374.2	346.8	322.1	298.0	274.7	253.3	233.8	214.5	197.2
310.0	384.1	356.0	329.4	304.1	279.6	257.3	236.0	217.0	198.2	181.9
315.0	357.9	328.7	301.0	275.5	251.6	229.1	209.4	191.1	174.1	158.5
320.0	337.9	306.7	278.0	252.5	228.1	205.7	186.6	169.0	153.1	138.1

Photometric Data Table [cd]

325.0	308.7	280.9	253.0	227.3	203.5	181.8	163.6	146.4	131.8	117.5
330.0	269.6	243.6	218.3	194.9	173.1	153.1	135.3	120.1	105.9	93.8
335.0	244.4	214.8	189.6	166.6	145.4	126.1	109.1	94.8	81.9	71.2
340.0	222.9	193.8	166.1	140.8	118.9	99.7	83.7	70.4	59.6	50.6
345.0	201.0	168.3	139.6	113.6	91.0	72.2	57.3	46.0	37.6	31.3
350.0	185.6	149.6	116.1	87.3	63.5	44.9	32.0	23.4	18.1	14.9
355.0	180.6	138.2	99.1	66.1	39.5	21.3	11.2	7.0	5.5	5.1
360.0	184.2	138.3	95.0	57.6	28.1	7.9	1.3	1.1	1.0	1.0

Cly	100.0	102.5	105.0	107.5	110.0	112.5	115.0	117.5	120.0	122.5
0.0	1.3	1.3	1.5	1.8	2.2	2.3	2.4	2.4	2.6	2.7
5.0	4.6	4.1	3.5	2.7	2.8	2.7	2.7	2.6	2.8	2.7
10.0	12.8	11.8	11.3	10.9	10.3	9.3	7.9	6.7	5.3	4.1
15.0	26.9	23.4	20.9	19.4	18.5	17.1	16.0	14.7	13.8	12.2
20.0	45.2	39.5	35.2	31.5	28.8	26.6	24.2	21.7	20.4	18.7
25.0	63.8	56.1	50.6	45.9	41.8	38.3	35.2	32.5	29.7	26.8
30.0	87.5	77.8	68.9	61.9	56.4	51.7	47.6	43.8	40.3	37.3
35.0	110.3	100.4	90.3	80.4	71.9	65.0	59.5	54.6	50.1	46.5
40.0	125.4	115.2	105.8	96.0	85.8	77.2	69.5	63.5	58.1	53.5
45.0	141.5	129.3	118.5	109.3	100.8	91.8	83.0	75.4	68.5	62.6
50.0	158.1	144.6	132.2	121.6	112.2	104.3	96.0	87.9	80.1	73.1
55.0	168.6	155.1	142.2	130.4	119.9	110.5	102.2	94.9	87.8	80.7
60.0	180.2	165.8	152.3	140.2	128.7	118.6	109.0	100.7	92.8	86.3
65.0	189.3	174.6	160.9	148.0	136.3	125.4	115.7	106.3	97.5	90.1
70.0	198.3	183.6	169.1	155.7	143.8	132.6	122.2	112.7	103.3	95.1
75.0	207.0	191.3	176.8	163.4	150.9	139.1	128.1	118.3	108.8	100.1
80.0	208.1	192.8	178.3	164.7	152.2	140.6	129.7	119.7	110.1	101.6
85.0	207.9	192.8	178.5	165.3	152.4	140.9	130.1	119.8	110.2	101.5
90.0	213.6	197.1	182.3	168.8	155.7	143.4	132.1	121.7	112.1	103.0
95.0	210.7	194.4	179.8	166.3	153.4	141.7	130.7	120.4	111.4	102.3
100.0	207.3	192.2	177.5	163.7	150.5	138.9	127.6	117.6	108.3	99.8
105.0	202.1	186.3	171.1	157.9	145.4	133.6	123.0	113.0	104.0	95.7
110.0	190.3	175.3	161.0	147.5	135.9	125.0	114.9	105.5	96.5	88.4
115.0	183.2	168.2	153.8	141.7	129.9	118.9	108.9	100.3	91.6	83.8
120.0	173.9	159.1	146.1	133.4	122.1	111.9	102.7	93.8	85.6	78.1
125.0	162.5	148.5	135.2	123.7	113.0	103.1	93.8	85.5	78.7	72.2
130.0	150.2	136.2	123.8	112.9	102.4	93.3	85.3	78.0	71.5	65.5
135.0	131.5	119.3	107.9	97.7	88.6	80.6	73.6	67.1	60.9	55.5
140.0	115.7	104.4	94.0	84.8	76.5	69.1	62.5	56.6	51.4	46.8
145.0	99.4	88.5	79.0	70.4	63.2	56.8	51.2	46.4	42.5	38.8
150.0	78.5	68.8	60.4	53.2	47.2	42.5	38.6	35.2	32.1	29.5
155.0	58.9	50.6	43.6	38.5	34.6	31.3	28.4	25.9	23.4	20.9
160.0	40.8	34.9	30.3	27.0	24.2	21.8	19.7	17.4	15.7	14.4
165.0	24.3	20.9	18.3	16.4	14.9	13.7	12.6	11.4	10.6	9.2
170.0	11.0	9.6	8.9	8.5	7.7	6.9	5.2	3.3	2.4	2.3
175.0	3.0	2.3	1.5	1.6	1.7	1.9	2.0	2.1	2.2	2.2
180.0	1.1	1.3	1.5	1.4	1.6	1.7	1.8	1.9	2.0	2.0
185.0	4.4	4.3	3.9	3.6	3.4	3.1	3.0	2.8	2.6	2.5

Photometric Data Table [cd]

190.0	15.3	13.7	12.6	12.1	11.5	10.9	10.3	9.4	8.6	7.9
195.0	32.6	28.4	25.5	23.6	22.2	20.7	19.3	17.9	17.2	16.4
200.0	55.3	48.5	42.8	38.6	35.5	33.0	30.5	28.3	26.3	24.5
205.0	80.2	70.8	63.4	57.3	51.9	47.5	43.7	40.7	37.7	34.9
210.0	106.9	96.1	85.9	77.4	70.4	64.0	58.5	54.0	49.6	45.9
215.0	128.4	117.0	106.0	95.6	86.3	78.3	71.6	65.3	60.1	55.2
220.0	144.2	131.8	120.9	110.3	99.9	90.3	82.1	75.2	69.0	63.2
225.0	163.4	149.8	137.1	126.4	116.2	106.2	96.4	88.1	80.6	73.8
230.0	182.8	167.9	153.7	141.3	130.1	120.2	110.8	101.4	92.9	84.8
235.0	195.2	179.5	165.1	151.4	139.2	128.4	118.6	109.9	101.4	92.8
240.0	207.6	191.7	176.6	162.1	149.2	137.2	126.6	116.5	108.1	100.0
245.0	217.9	200.8	185.5	170.9	157.3	145.0	133.4	122.6	112.9	104.2
250.0	228.0	210.5	194.4	179.1	165.4	152.8	140.3	129.5	119.0	109.4
255.0	237.3	220.0	203.0	187.2	172.9	159.3	147.4	135.8	124.9	115.0
260.0	238.3	220.6	205.0	189.5	175.3	161.6	148.8	137.1	126.3	116.0
265.0	238.0	220.6	204.1	188.7	174.3	161.1	148.7	137.4	126.8	116.8
270.0	234.4	217.6	201.2	186.7	172.8	159.6	147.5	136.3	125.7	116.2
275.0	233.5	216.9	201.4	186.4	172.6	159.2	146.8	135.7	125.1	115.4
280.0	230.8	213.9	197.4	182.6	168.7	156.1	144.4	133.0	122.9	113.1
285.0	224.3	207.8	192.0	177.3	163.9	151.0	139.1	128.7	118.0	108.5
290.0	211.7	195.8	180.7	166.4	153.4	141.0	129.9	119.6	110.1	101.0
295.0	204.2	188.5	173.6	159.6	146.5	135.1	124.4	114.5	104.8	96.2
300.0	193.9	178.7	163.5	150.6	138.7	127.3	116.8	107.3	98.3	90.6
305.0	181.0	165.9	152.5	140.0	128.1	117.3	107.5	99.0	91.4	84.4
310.0	165.4	151.7	138.8	126.8	115.8	106.7	97.9	90.3	82.9	76.2
315.0	144.0	131.9	120.1	110.0	100.4	92.3	84.1	77.1	70.6	64.6
320.0	125.4	113.9	103.5	94.2	85.7	78.0	71.2	65.1	59.5	55.0
325.0	105.7	95.2	85.9	77.7	70.3	63.8	58.3	53.4	49.2	45.5
330.0	83.3	73.9	65.8	58.9	53.2	48.7	44.8	41.4	38.1	35.4
335.0	62.2	54.5	48.2	43.6	39.6	36.3	33.2	30.8	28.8	26.9
340.0	43.7	38.3	34.1	30.5	27.7	25.5	23.9	22.5	21.4	20.4
345.0	26.7	23.3	20.9	19.2	18.0	17.2	16.4	15.8	15.1	14.4
350.0	13.1	12.0	11.4	11.0	10.8	10.4	9.8	9.4	8.6	8.0
355.0	5.0	4.9	4.9	4.7	4.7	4.6	4.6	4.5	4.5	4.2
360.0	1.3	1.3	1.5	1.8	2.2	2.3	2.4	2.4	2.6	2.7

Cvγ	125.0	127.5	130.0	132.5	135.0	137.5	140.0	142.5	145.0	147.5
0.0	2.8	2.9	2.9	2.9	2.9	2.9	2.9	2.9	2.9	3.0
5.0	2.9	3.0	3.0	3.0	3.0	3.1	3.1	3.1	3.3	3.5
10.0	3.6	3.6	3.6	3.6	3.6	3.6	3.6	3.6	3.6	3.6
15.0	10.2	8.8	6.9	5.1	4.1	3.8	3.8	3.8	3.8	3.8
20.0	17.5	16.1	14.9	12.5	10.7	8.0	5.4	3.9	3.8	3.8
25.0	24.5	22.6	20.8	18.5	17.3	15.0	12.6	9.9	6.3	4.2
30.0	33.9	30.5	28.2	26.1	24.0	21.6	19.6	16.8	13.2	9.6
35.0	43.0	39.8	35.9	32.4	29.9	27.4	25.3	22.3	19.7	15.8
40.0	49.3	45.6	42.1	38.1	34.2	31.4	28.5	26.3	23.3	20.2
45.0	57.5	53.0	48.7	44.9	40.4	36.2	32.8	29.3	26.9	23.5
50.0	66.7	61.2	56.0	51.6	47.3	42.2	37.6	33.9	30.3	27.5

Photometric Data Table [cd]

55.0	73.8	67.3	61.4	56.4	51.7	47.0	41.7	37.0	32.4	29.8
60.0	80.0	73.7	67.6	61.7	56.5	51.7	46.1	41.1	36.1	32.1
65.0	83.2	76.6	70.5	65.2	60.0	55.1	50.4	44.4	39.1	34.0
70.0	87.5	80.4	73.8	67.6	62.0	56.8	52.1	46.3	41.2	35.5
75.0	92.3	85.1	77.9	71.4	65.2	59.7	54.5	49.0	43.1	37.5
80.0	93.5	86.0	78.7	72.2	65.8	60.3	55.0	49.9	43.5	37.9
85.0	93.3	86.0	78.9	72.1	65.9	60.2	54.7	49.7	43.4	37.8
90.0	94.6	86.5	79.1	72.3	65.9	59.9	54.0	48.8	42.0	36.1
95.0	93.6	85.9	78.6	72.1	65.5	59.6	53.9	48.7	42.0	36.0
100.0	91.2	83.3	76.2	69.6	63.5	57.9	52.3	47.1	40.7	34.9
105.0	87.2	80.2	73.2	66.8	60.9	55.2	49.9	44.6	38.6	33.2
110.0	81.0	73.8	67.8	61.7	56.2	51.1	46.2	40.5	35.7	31.1
115.0	76.7	70.0	64.1	58.5	53.4	48.6	44.1	38.5	33.6	29.9
120.0	71.8	65.8	60.3	55.3	50.4	45.8	40.7	36.1	31.5	27.9
125.0	66.3	60.7	55.4	50.7	46.1	41.9	36.6	32.3	28.6	25.7
130.0	59.8	54.6	49.8	45.3	41.4	36.5	32.4	29.0	25.9	23.5
135.0	50.7	46.0	42.2	38.6	34.2	30.6	27.4	24.6	22.3	19.6
140.0	42.9	39.2	36.0	31.8	28.6	25.7	23.5	21.3	18.8	14.6
145.0	35.5	32.4	28.9	25.8	23.5	21.5	19.8	17.1	13.2	8.4
150.0	26.4	23.8	21.5	19.5	17.9	15.9	14.0	9.6	6.7	4.7
155.0	18.8	17.1	15.9	13.9	12.4	9.1	6.2	5.0	3.0	2.6
160.0	13.2	12.2	10.8	8.0	6.2	4.6	2.8	2.6	2.6	2.6
165.0	6.7	5.2	3.9	2.5	2.6	2.6	2.6	2.6	2.6	2.6
170.0	2.4	2.5	2.5	2.6	2.7	2.7	2.8	2.7	2.6	2.6
175.0	2.3	2.4	2.4	2.5	2.5	2.6	2.6	2.6	2.6	2.6
180.0	2.1	2.1	2.1	2.3	2.3	2.4	2.5	2.5	2.5	2.5
185.0	2.4	2.1	2.1	2.1	2.0	2.1	2.1	2.1	2.1	2.1
190.0	6.8	6.1	5.8	5.3	4.9	4.2	3.8	3.0	2.7	2.1
195.0	15.2	14.0	13.0	11.1	9.3	8.2	7.6	7.0	6.2	5.3
200.0	23.3	21.6	20.7	19.2	17.6	15.8	13.2	11.2	9.8	8.8
205.0	32.0	29.8	27.9	25.8	24.1	23.3	21.1	18.9	15.8	12.9
210.0	42.1	38.9	35.8	33.0	31.0	28.7	26.5	25.0	22.6	19.7
215.0	50.9	47.0	42.7	39.0	36.1	33.5	31.2	28.5	27.1	24.8
220.0	58.0	53.4	49.1	44.4	40.7	37.1	34.1	31.6	29.0	27.0
225.0	67.7	62.3	57.1	52.5	47.0	42.9	38.8	35.3	32.4	29.4
230.0	77.4	71.3	65.4	60.1	55.0	49.2	44.6	40.1	36.1	33.0
235.0	85.0	77.6	71.1	65.3	59.6	54.5	48.3	43.7	39.2	35.5
240.0	92.0	84.4	77.5	70.8	64.6	59.0	52.7	47.0	41.9	37.8
245.0	95.9	88.6	81.6	75.1	68.8	63.0	57.3	50.3	45.1	39.9
250.0	100.3	92.4	84.7	77.7	71.3	65.3	59.5	53.1	47.5	41.8
255.0	105.6	97.1	88.7	81.1	74.3	68.0	61.9	55.5	48.8	43.0
260.0	106.6	98.1	89.9	82.2	75.1	68.7	62.6	56.3	49.2	43.4
265.0	107.6	98.9	90.5	82.3	75.4	68.6	62.4	56.6	49.2	43.4
270.0	106.8	98.3	90.6	83.4	76.3	69.5	63.5	58.0	50.8	45.0
275.0	106.1	97.6	90.0	82.8	76.0	69.3	63.4	57.7	50.7	44.8
280.0	104.1	95.7	87.9	80.8	74.1	67.5	61.6	55.6	49.5	43.8
285.0	100.0	92.1	84.5	77.6	71.1	64.9	59.3	53.4	47.6	42.2
290.0	92.9	85.4	78.4	71.9	65.9	60.3	55.3	49.3	44.9	39.8
295.0	88.5	81.6	75.1	69.0	63.5	58.3	53.4	47.9	43.4	38.9

Photometric Data Table [cd]

300.0	83.8	77.2	71.0	65.3	60.0	55.2	49.8	45.4	40.9	37.0
305.0	77.6	71.3	65.4	60.0	55.2	50.8	46.2	42.0	38.1	34.6
310.0	69.9	64.0	58.9	54.7	50.2	45.9	42.0	38.3	34.8	31.9
315.0	59.4	55.0	50.6	46.9	43.0	39.5	36.2	33.3	30.6	28.0
320.0	50.8	47.1	43.5	40.0	37.0	34.3	31.8	29.8	27.4	25.4
325.0	42.2	39.0	36.2	33.5	31.4	29.3	27.5	25.6	23.9	22.1
330.0	32.8	30.6	28.8	27.0	25.5	23.8	22.3	20.5	18.7	15.8
335.0	25.4	23.9	22.7	21.2	19.9	18.7	17.4	15.2	12.9	12.3
340.0	19.4	18.5	17.4	16.6	15.3	13.2	11.9	11.4	11.1	10.5
345.0	13.7	12.7	11.2	10.1	9.8	9.6	9.2	8.9	8.4	7.8
350.0	7.8	7.6	7.3	7.1	6.7	6.2	5.7	5.2	4.7	4.3
355.0	3.9	3.8	3.5	3.2	3.2	3.2	3.2	3.2	3.2	3.2
360.0	2.8	2.9	2.9	2.9	2.9	2.9	2.9	2.9	2.9	3.0

Cly	150.0	152.5	155.0	157.5	160.0	162.5	165.0	167.5	170.0	172.5
0.0	3.0	3.3	3.3	3.4	3.6	3.6	3.6	3.6	3.6	3.6
5.0	3.6	3.7	3.7	3.8	3.8	3.8	3.8	3.8	3.8	3.8
10.0	3.6	3.8	3.9	3.9	3.9	4.1	4.0	4.0	4.0	4.0
15.0	3.8	3.8	3.8	3.8	3.8	3.8	3.8	3.8	3.8	3.8
20.0	3.8	3.8	3.8	3.8	3.8	3.8	3.8	3.8	3.8	3.8
25.0	3.9	3.8	3.8	3.8	3.8	3.8	3.8	3.8	3.8	3.8
30.0	5.5	3.9	3.7	3.7	3.7	3.7	3.7	3.7	3.7	3.7
35.0	11.8	7.0	3.8	3.3	3.3	3.3	3.3	3.3	3.3	3.3
40.0	16.4	11.8	6.7	3.5	3.1	3.1	3.1	3.1	3.1	3.1
45.0	20.2	16.3	11.4	5.5	3.3	3.2	3.2	3.2	3.2	3.2
50.0	23.8	19.9	15.4	8.9	3.8	3.1	3.1	3.1	3.1	3.0
55.0	26.5	22.5	18.3	12.9	5.9	3.2	3.2	3.1	3.1	3.1
60.0	28.8	24.8	20.1	15.8	8.9	3.4	3.0	3.0	3.0	3.0
65.0	31.0	27.4	22.9	18.2	11.9	4.7	3.2	3.2	3.1	3.1
70.0	32.1	28.9	25.0	19.9	14.5	6.8	3.4	3.3	3.3	3.2
75.0	33.1	29.6	25.9	20.4	15.8	8.6	3.3	3.1	3.1	3.2
80.0	33.6	30.1	26.1	20.6	16.1	9.2	3.3	3.2	3.2	3.2
85.0	33.5	29.8	26.0	20.6	15.9	9.3	3.1	2.9	2.8	2.8
90.0	31.8	27.9	24.4	18.9	10.7	5.0	2.7	2.2	2.2	2.2
95.0	32.0	28.1	24.6	18.7	10.8	5.1	3.6	3.4	3.2	3.0
100.0	30.9	27.2	23.9	17.4	9.8	4.2	2.8	2.8	2.8	2.8
105.0	29.4	26.0	22.6	15.3	8.5	4.2	3.1	3.0	3.0	2.9
110.0	27.2	24.1	20.8	13.1	7.0	3.1	2.8	2.6	2.7	2.7
115.0	26.2	23.3	18.4	11.2	6.0	3.3	2.6	2.7	2.7	2.7
120.0	24.9	21.8	14.7	8.4	4.1	2.3	2.5	2.8	2.8	2.8
125.0	22.8	18.6	11.7	6.3	2.3	2.4	2.5	2.8	2.8	2.8
130.0	20.1	13.5	8.0	4.2	2.9	2.4	2.8	2.9	2.9	3.0
135.0	14.3	8.8	5.7	3.1	2.4	2.5	2.6	2.9	3.0	3.0
140.0	9.3	6.5	3.4	2.7	2.6	2.5	2.7	3.1	3.2	3.1
145.0	6.2	3.0	2.8	2.7	2.6	2.4	2.8	3.1	3.3	3.3
150.0	2.4	2.5	2.5	2.5	2.6	2.6	2.8	3.3	3.4	3.4
155.0	2.6	2.6	2.6	2.5	2.5	2.5	2.9	3.3	3.4	3.4
160.0	2.6	2.6	2.6	2.6	2.6	2.6	3.0	3.4	3.7	3.7

Photometric Data Table [cd]

165.0	2.6	2.6	2.6	2.6	2.7	2.7	3.2	3.6	3.8	3.8
170.0	2.6	2.6	2.6	2.6	2.6	2.7	3.2	3.4	3.6	3.7
175.0	2.6	2.6	2.5	2.5	2.6	2.6	3.0	3.3	3.5	3.5
180.0	2.5	2.5	2.5	2.5	2.5	2.5	2.7	3.2	3.5	3.6
185.0	2.1	2.1	2.1	2.1	2.1	2.3	2.6	3.2	3.6	3.8
190.0	2.2	2.2	2.2	2.2	2.2	2.3	2.7	3.3	3.6	3.9
195.0	4.5	3.2	2.4	2.5	2.5	2.4	2.9	3.4	3.9	3.9
200.0	7.7	6.6	5.2	3.8	2.8	2.7	3.0	3.6	3.9	3.9
205.0	10.5	9.1	7.9	6.6	4.6	3.3	3.3	3.6	3.9	4.1
210.0	15.7	12.2	10.0	8.7	7.1	4.9	3.4	3.5	3.6	4.0
215.0	21.8	17.7	13.8	10.7	8.9	6.9	4.8	3.6	3.5	3.6
220.0	24.6	21.8	17.9	13.6	10.3	8.2	6.1	3.9	3.4	3.3
225.0	27.3	24.4	21.6	17.2	12.3	9.5	7.6	4.9	3.6	3.4
230.0	29.6	27.0	23.8	20.3	15.6	10.3	8.4	6.3	3.5	3.0
235.0	32.0	28.5	25.7	22.3	17.7	11.6	8.9	7.0	4.1	3.5
240.0	33.9	30.3	27.3	23.8	20.3	14.3	9.6	7.7	5.0	3.3
245.0	35.8	32.0	28.3	25.2	21.4	15.9	10.2	8.0	5.1	3.4
250.0	37.6	33.5	29.9	26.4	22.5	17.5	10.4	8.4	5.6	3.3
255.0	38.5	34.5	30.7	27.1	23.3	18.8	11.0	8.7	5.8	2.9
260.0	38.6	34.4	30.8	27.1	23.1	19.3	11.4	8.7	6.0	3.3
265.0	38.3	34.2	30.5	26.8	23.1	19.4	12.2	8.7	6.0	3.4
270.0	40.0	36.0	32.0	28.3	24.2	16.8	12.6	10.6	8.2	4.7
275.0	39.8	35.7	31.9	28.2	24.4	16.9	12.5	10.5	8.2	5.0
280.0	39.2	35.1	31.3	27.5	23.5	15.9	12.2	10.4	8.3	5.2
285.0	37.6	33.7	30.1	26.4	22.5	14.8	11.9	10.3	8.1	5.4
290.0	35.7	32.2	28.6	25.5	20.6	13.5	11.6	9.9	7.6	4.9
295.0	35.0	31.5	27.9	24.6	19.4	13.4	11.6	9.8	7.3	4.9
300.0	33.3	29.9	26.7	23.3	17.4	13.2	11.5	9.4	6.7	4.5
305.0	31.3	28.1	25.2	21.3	14.9	13.0	11.2	9.1	6.3	4.3
310.0	28.8	26.0	23.0	18.2	14.0	12.4	10.5	8.6	5.9	3.9
315.0	25.6	23.3	19.5	14.7	13.3	11.6	9.6	7.3	5.0	3.6
320.0	23.4	20.2	15.9	14.1	12.6	10.8	8.8	6.2	4.4	3.8
325.0	19.0	15.3	13.9	12.6	11.1	9.5	7.4	5.3	3.9	3.9
330.0	13.3	12.4	11.7	10.6	9.4	7.7	5.8	4.5	4.1	4.0
335.0	11.7	11.0	10.1	8.9	7.4	5.8	4.6	4.3	4.3	4.3
340.0	9.8	9.0	7.8	6.7	5.5	4.6	4.3	4.3	4.3	4.3
345.0	6.8	6.0	5.2	4.6	4.1	4.1	4.1	4.1	4.1	4.1
350.0	4.0	3.7	3.7	3.7	3.7	3.7	3.7	3.7	3.7	3.7
355.0	3.2	3.2	3.2	3.3	3.3	3.4	3.4	3.4	3.5	3.6
360.0	3.0	3.3	3.3	3.4	3.6	3.6	3.6	3.6	3.6	3.6

C_v	175.0	177.5	180.0
0.0	3.6	3.6	3.6
5.0	3.8	3.8	3.6
10.0	4.0	4.0	3.6
15.0	3.8	3.8	3.6
20.0	3.8	3.8	3.6
25.0	3.8	3.8	3.6

Photometric Data Table [cd]

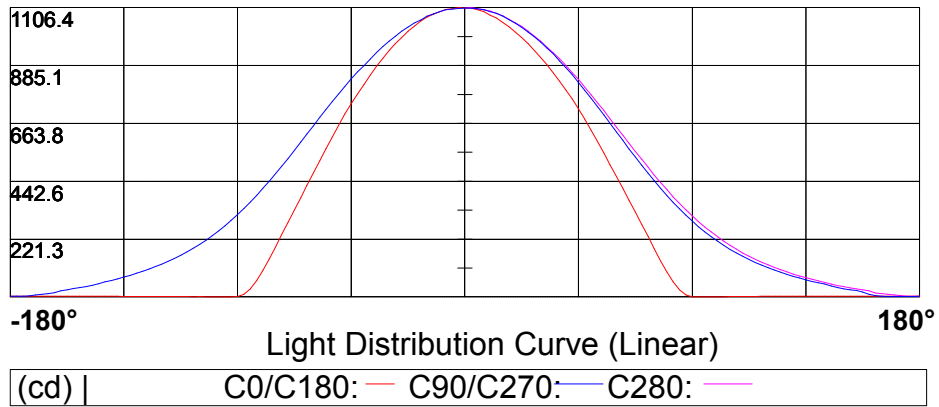
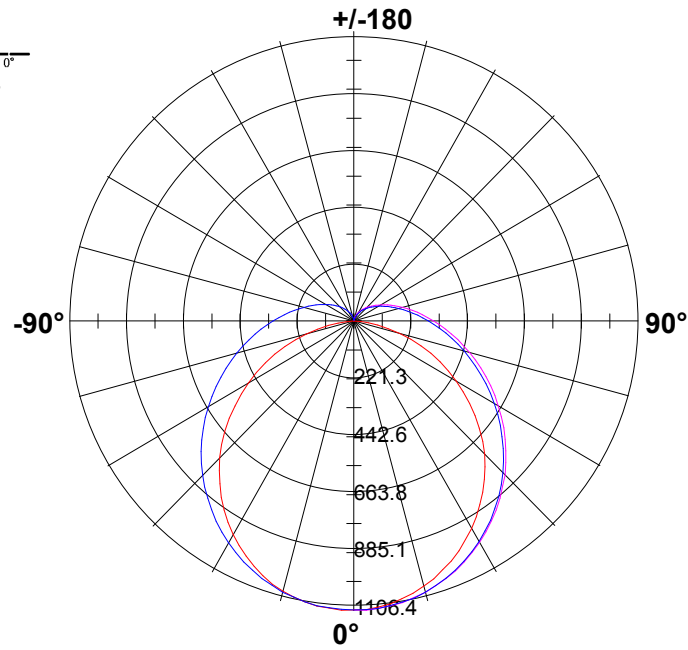
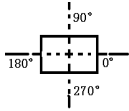
30.0	3.7	3.7	3.6
35.0	3.3	3.3	3.6
40.0	3.1	3.1	3.6
45.0	3.2	3.2	3.6
50.0	3.0	3.0	3.6
55.0	3.1	3.0	3.6
60.0	3.0	3.0	3.6
65.0	3.1	3.1	3.6
70.0	3.2	3.2	3.6
75.0	3.2	3.2	3.6
80.0	3.2	3.2	3.6
85.0	2.8	2.7	3.6
90.0	2.3	2.3	3.6
95.0	2.7	2.5	3.6
100.0	2.8	2.7	3.6
105.0	2.9	2.8	3.6
110.0	2.7	2.7	3.6
115.0	2.7	2.8	3.6
120.0	2.8	2.8	3.6
125.0	2.8	2.7	3.6
130.0	3.0	3.0	3.6
135.0	3.0	3.1	3.6
140.0	3.1	3.1	3.6
145.0	3.3	3.3	3.6
150.0	3.4	3.4	3.6
155.0	3.5	3.5	3.6
160.0	3.7	3.7	3.6
165.0	3.9	3.9	3.6
170.0	3.7	3.7	3.6
175.0	3.5	3.6	3.6
180.0	3.6	3.6	3.6
185.0	3.8	3.7	3.6
190.0	4.0	4.1	3.6
195.0	4.0	4.1	3.6
200.0	3.9	4.0	3.6
205.0	4.1	4.0	3.6
210.0	3.9	3.9	3.6
215.0	3.6	3.6	3.6
220.0	3.3	3.2	3.6
225.0	3.2	3.1	3.6
230.0	3.0	3.0	3.6
235.0	3.2	3.0	3.6
240.0	3.1	2.9	3.6
245.0	3.1	2.8	3.6
250.0	3.0	2.8	3.6
255.0	2.8	2.8	3.6
260.0	3.0	2.8	3.6
265.0	3.1	2.8	3.6
270.0	2.8	2.5	3.6

Photometric Data Table [cd]

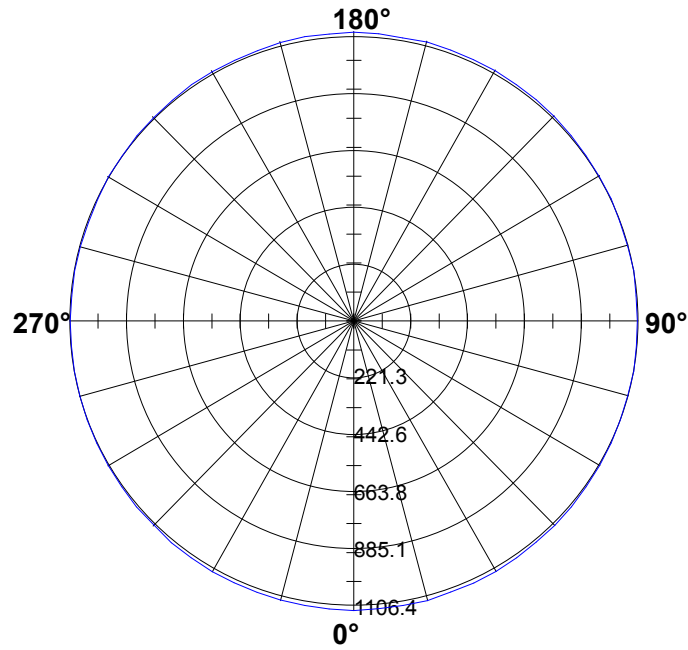
275.0	3.2	2.8	3.6
280.0	3.3	3.1	3.6
285.0	3.4	3.3	3.6
290.0	3.2	3.1	3.6
295.0	3.4	3.2	3.6
300.0	3.3	3.3	3.6
305.0	3.7	3.4	3.6
310.0	3.7	3.7	3.6
315.0	3.6	3.6	3.6
320.0	3.6	3.6	3.6
325.0	3.9	3.9	3.6
330.0	4.0	3.9	3.6
335.0	4.3	4.3	3.6
340.0	4.3	4.3	3.6
345.0	4.1	4.1	3.6
350.0	3.8	3.8	3.6
355.0	3.7	3.6	3.6
360.0	3.6	3.6	3.6

Light Distribution Curve [Unit: cd]

Luminaire

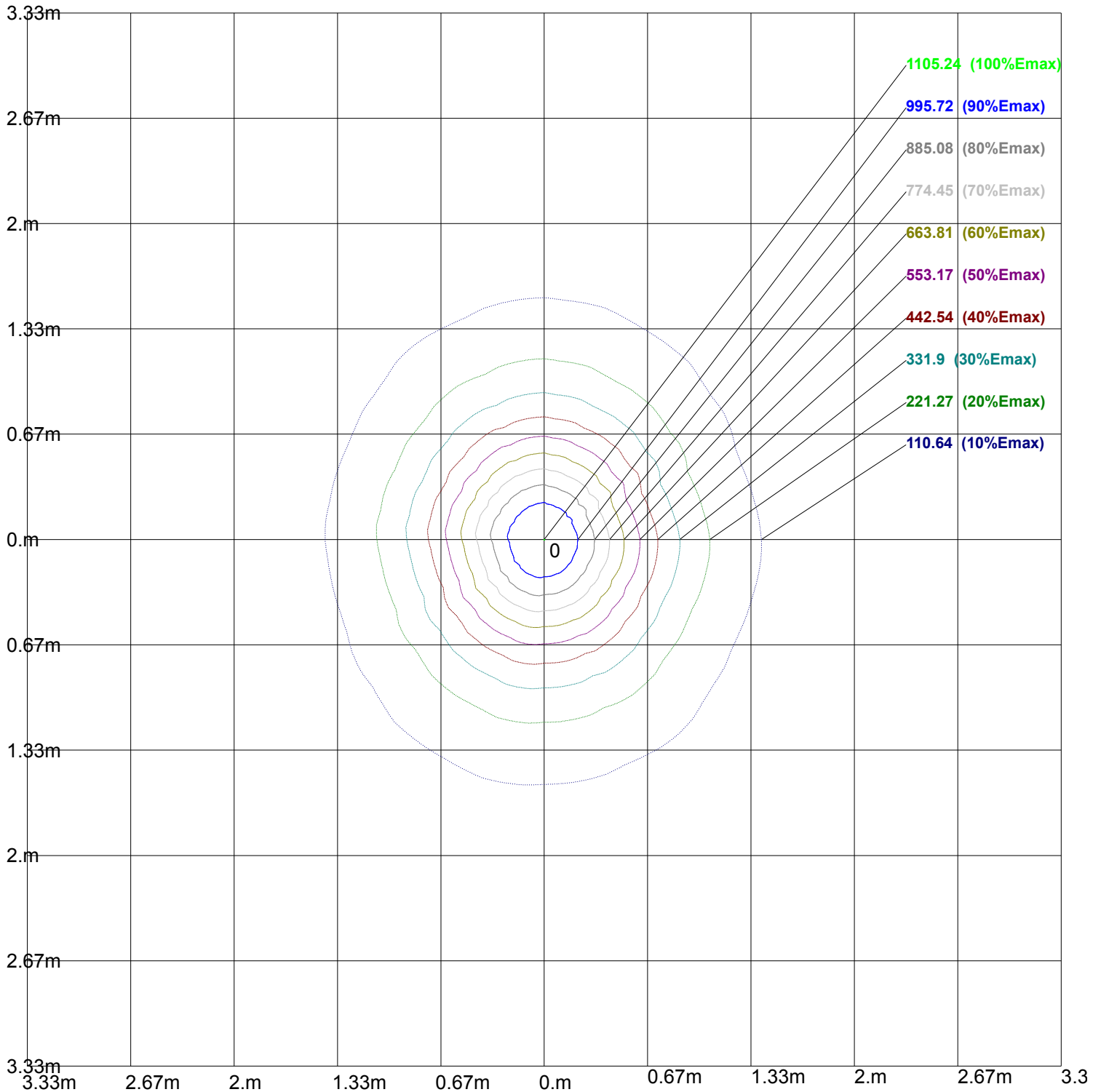


Max Plane Light Distribution Curve [Unit: cd]



1106.4							
885.1							
663.8							
442.6							
221.3							
-180°	Light Distribution Curve (Linear)						180°
(cd)	γ2.5: —						

Iso-Lux[lx]



Height: 1 m
Max Illuminance : 1106.35lx

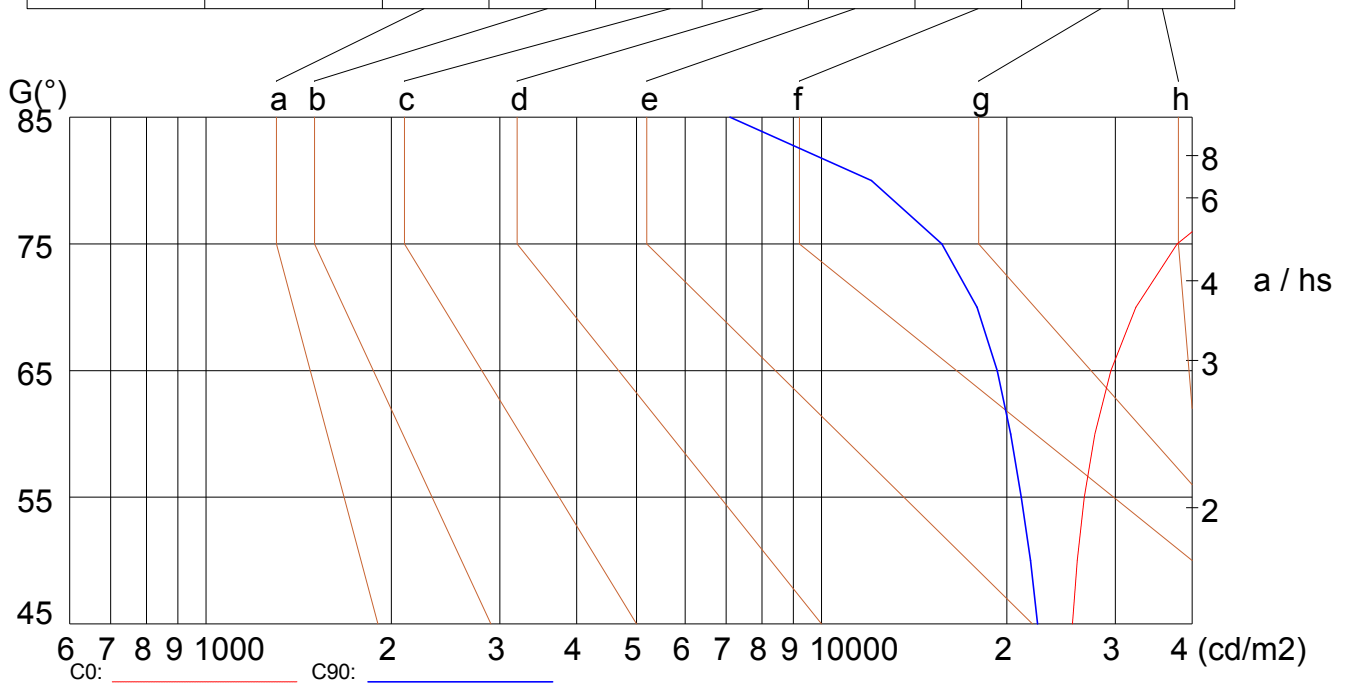
Luminance Limiting Curve

Diameter: 0mm
 Length: 1512mm
 Width: 30mm
 Height: 26mm

(cd/m²)

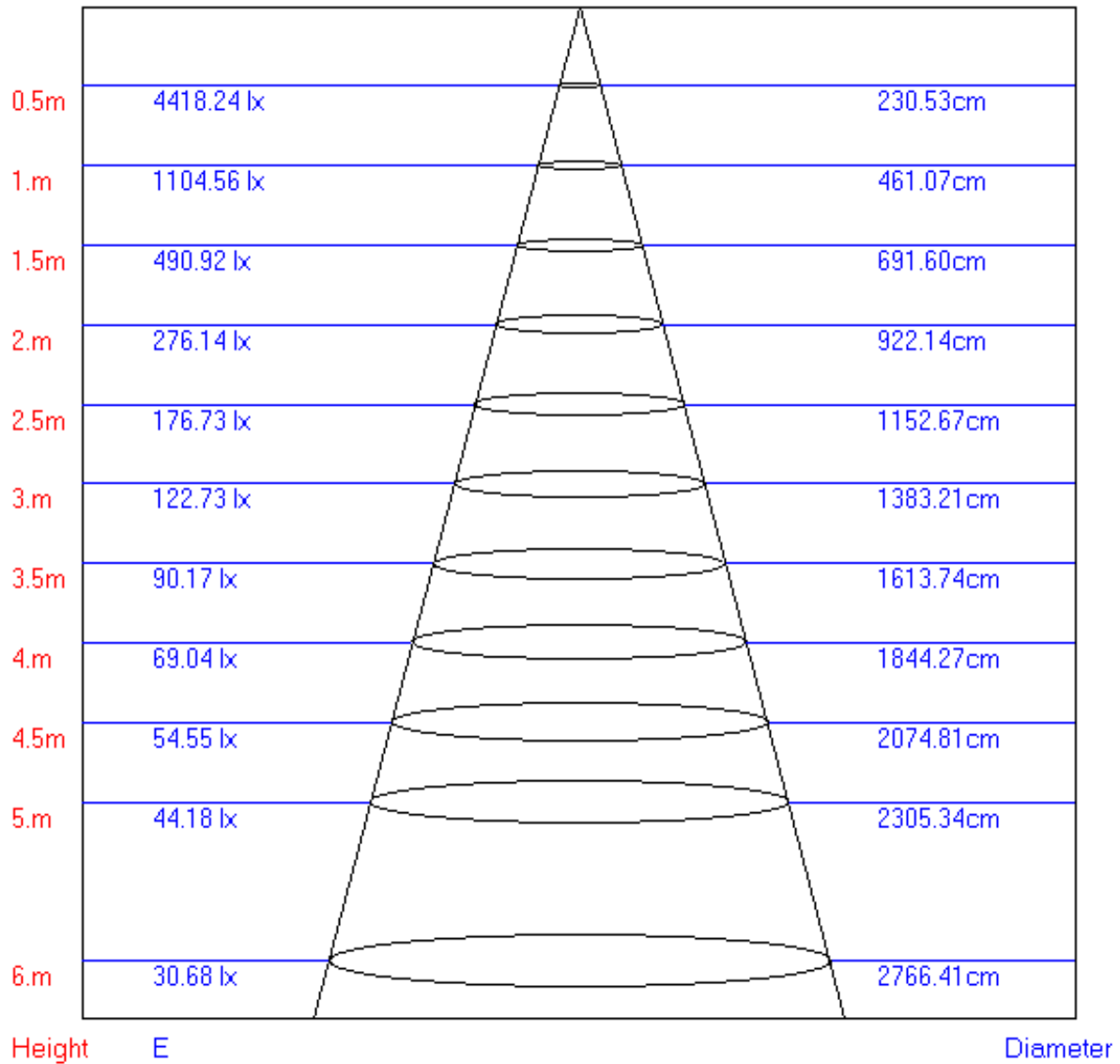
γ	45°	50°	55°	60°	65°	70°	75°	80°	85°
C0	25557	26010	26722	27776	29527	32413	37817	49127	84994
C90	22427	21839	21120	20278	19278	17878	15679	12046	7094

Glare	Quality	Service Values Illuminance (lx)							
1.15	A	2000	1000	500	≤300				
1.5	B		2000	1000	500	≤300			
1.85	C			2000	1000	500	≤300		
2.2	D				2000	1000	500	≤300	
2.55	E					2000	1000	500	≤300



Lum. Limiting Curve (C0/C90)

Lux-Distance Curve



Beam Angle:133.20°

Utilization Coefficient Table

RHOCC	80			70			50			30			10			0
RHOW	50	30	10	50	30	10	50	30	10	50	30	10	50	30	10	0
RCR	COEFFICIENTS OF UTILIZATION FOR RHOFC=20															
0	1.19	1.19	1.19	1.16	1.16	1.16	1.11	1.11	1.11	1.06	1.06	1.06	1.02	1.02	1.02	1.00
1	1.02	0.99	0.98	1.00	0.98	0.96	0.97	0.94	0.92	0.92	0.90	0.87	0.86	0.84	0.81	0.76
2	0.87	0.84	0.82	0.86	0.83	0.80	0.84	0.80	0.77	0.81	0.77	0.73	0.76	0.72	0.68	0.64
3	0.75	0.72	0.70	0.75	0.71	0.69	0.74	0.70	0.66	0.72	0.67	0.63	0.69	0.63	0.59	0.55
4	0.66	0.63	0.61	0.67	0.63	0.60	0.66	0.61	0.58	0.65	0.59	0.55	0.63	0.57	0.52	0.48
5	0.59	0.56	0.55	0.60	0.56	0.54	0.60	0.55	0.51	0.59	0.53	0.49	0.58	0.51	0.46	0.43
6	0.54	0.51	0.49	0.54	0.51	0.48	0.55	0.50	0.46	0.54	0.49	0.44	0.53	0.47	0.42	0.38
7	0.49	0.47	0.45	0.50	0.46	0.44	0.51	0.46	0.42	0.50	0.45	0.40	0.50	0.43	0.38	0.35
8	0.45	0.43	0.42	0.46	0.43	0.41	0.47	0.42	0.39	0.47	0.41	0.37	0.47	0.40	0.36	0.32
9	0.42	0.40	0.39	0.43	0.40	0.38	0.44	0.39	0.36	0.44	0.39	0.35	0.44	0.38	0.33	0.30
10	0.40	0.38	0.36	0.40	0.37	0.36	0.41	0.37	0.34	0.42	0.36	0.33	0.42	0.36	0.31	0.28

