



### Features:

- 180-264VAC input range
- Fully encapsulated with IP67 level
- Protections: short circuit, over load, over voltage, over temperature
- Cooling by free air convection
- Efficiency up to 89%
- 100% full load burn-in test
- Suitable for LED lighting
- Compliance to worldwide safety regulations for lighting
- 2 Years warranty

### SPECIFICATION

Dimension: 271 × 69 × 39mm



	Model	TLPS-12-300	TLPS-24-300
Output	DC voltage	12V	24V
	Rated current	25A	12.5A
	Current range	0 ~ 25A	0 ~ 12.5A
	Rated power	300W	300W
	Ripple&noise	150mVp-p	150mVp-p
	Voltage tolerance	± 2.0%	± 1.0%
	Line regulation	± 0.5%	
	Load regulation	± 1.5%	± 1.5%
Input	Setup, rise, hold time	2500ms, 20ms, 24ms/230VAC at full load	
	Voltage range	180~264VAC	254~370VDC 47~63Hz
	AC current	2.6A/230VAC	
	Efficiency	88%	89%
	Total Harmonic Distortion	THD<20% (90/264VAC input, output load>50%)	
Protection	Inrush current	Cold start 75A/230VAC (t <sub>width</sub> =880 μ s measured at 50% I <sub>peak</sub> )	
	Leakage current	< 0.75mA/240VAC	
	Overload	115~135% rated output power Start overload protection Protection type: Hiccup mode, auto-recovery after fault condition is removed	
Environment	Over voltage	15.8~18V	30.6~33.6V
	Over temperature	95°C ± 10°C(TSW1) Protection type: Shut down output voltage, recovers automatically after temperature goes down	
Safety & EMC	Working temperature	-20°C ~ +60°C(Please refer to "derating curve" )	
	Working humidity	20% ~ 90%RH Non-condensing	
	Storage temp, humidity	-40°C ~ +80°C; 10% ~ 95%RH	
	Temp. coefficient	± 0.03%/°C ( 0~50°C )	
	Vibration	10 ~ 500Hz, 5G 12min./1Cycle, Period for 72min, Each axes	
Others	Safety standards	Compliance to EN 61347-1:2015; EN 61347-2-13:2014+A1:2017; IP67	
	Withstand voltage	I/P-O/P: 1.5KVAC I/P-FG: 1.5KVAC O/P-FG: 0.5KVAC	
	Isolation resistance	I/P-O/P: 100M Ohms/500VDC/25°C/70%RH	
	EMC standard	Compliance to EN IEC 55015:2019; EN IEC 61000-3-2:2019 EN 61000-3-3:2013+A1:2019; EN 61547:2009	
Others	MTBF	180K hrs min. MIL-HDBK-217F(25°C)	
	Dimension	271*69*39 mm ( L*W*H )	
	Packing	1.3kg/20pcs/27kg/0.025m³/1.15CUFT	

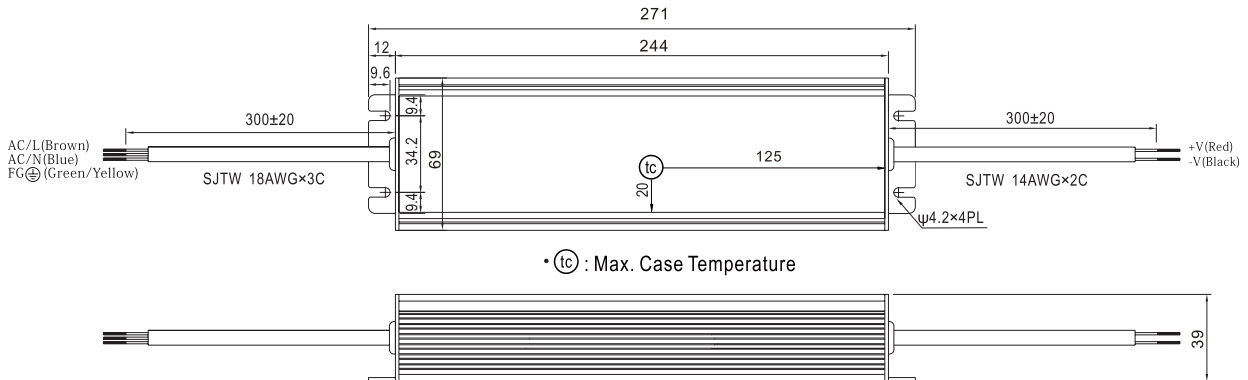
Note: 1. All parameters NOT specially mentioned are measured at 230VAC input, rated load and 25°C of ambient temperature.

2. Ripple & noise are measured at 20MHz of bandwidth by using a 12" twisted pair-wire terminated with a 0.1uf & 47uf parallel capacitor.

3. Tolerance : includes set up tolerance, line regulation and load regulation.

## Mechanical specification

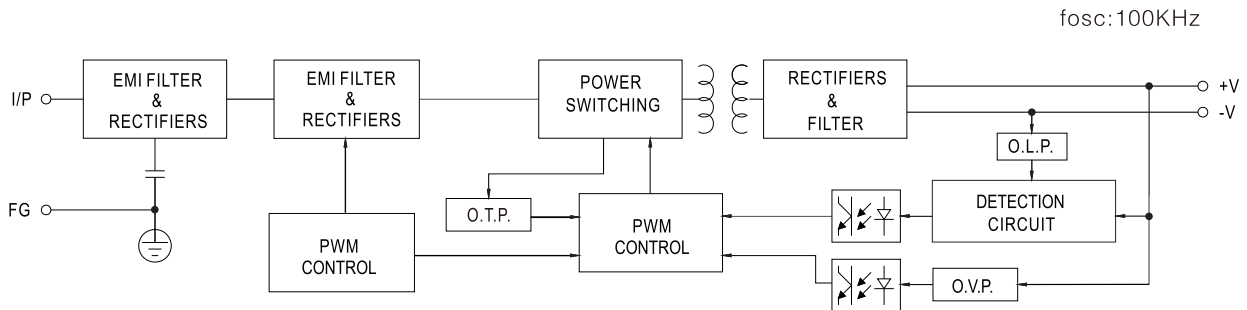
Unit:mm



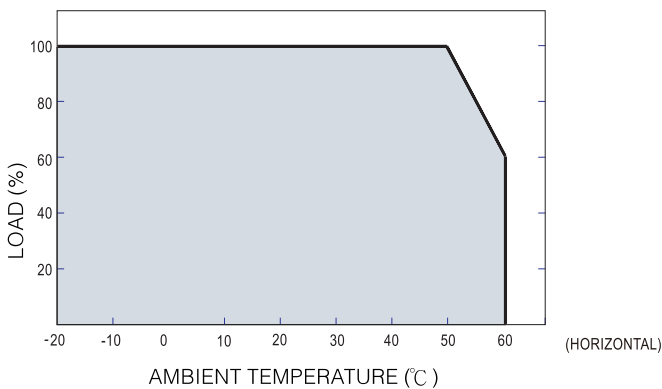
### lead-out wire assignment

Input(Black three-core)		Output (Black two-core)	
Brown	AC/L	Red	DC OUTPUT +V
Blue	AC/N	Black	DC OUTPUT -V
Yellow-green	FG		

### Block diagram



### Derating curve



### Static characteristic

